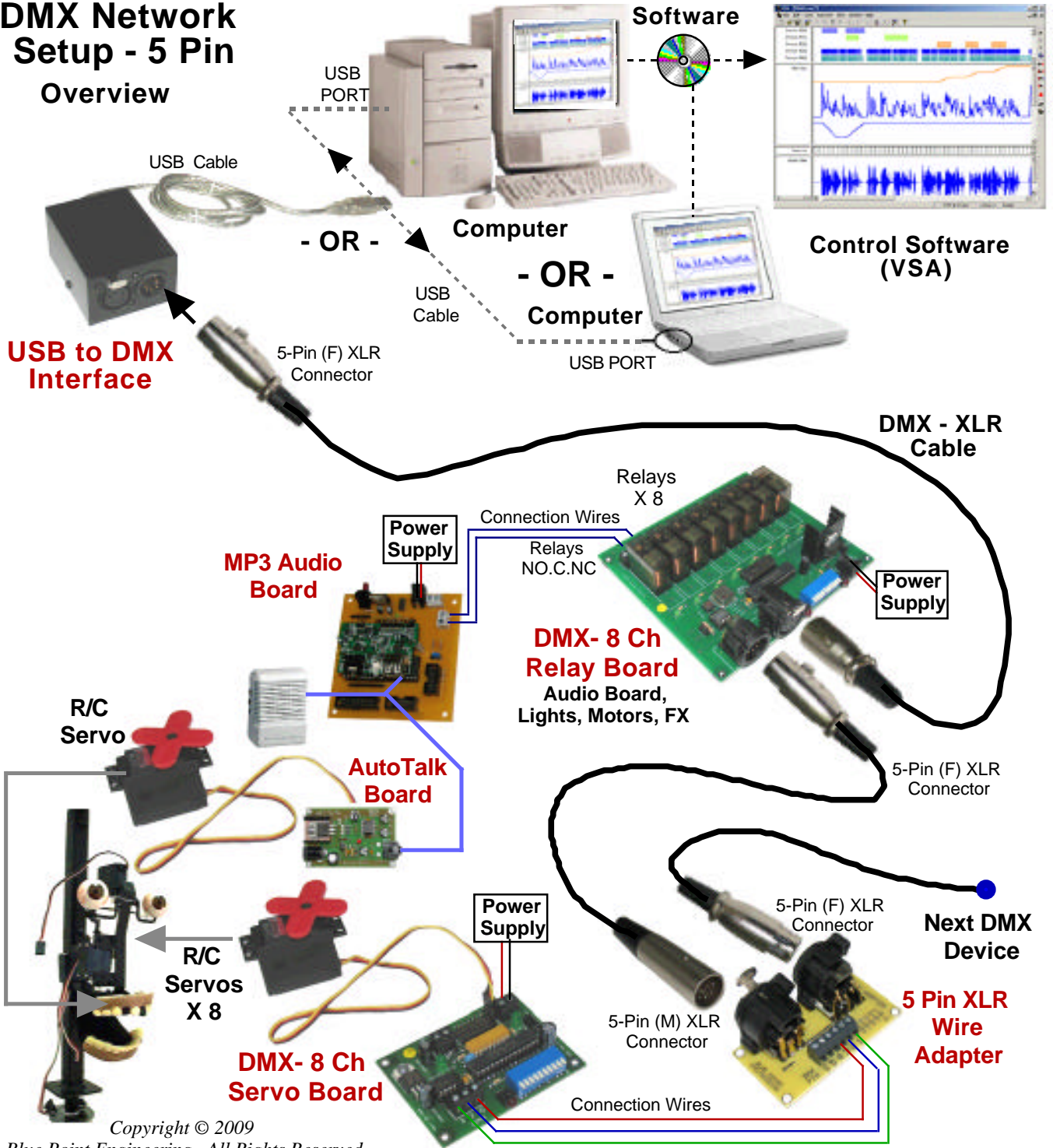


DMX Control Setup

DMX Network Setup - 5 Pin Overview



Copyright © 2009
Blue Point Engineering, All Rights Reserved

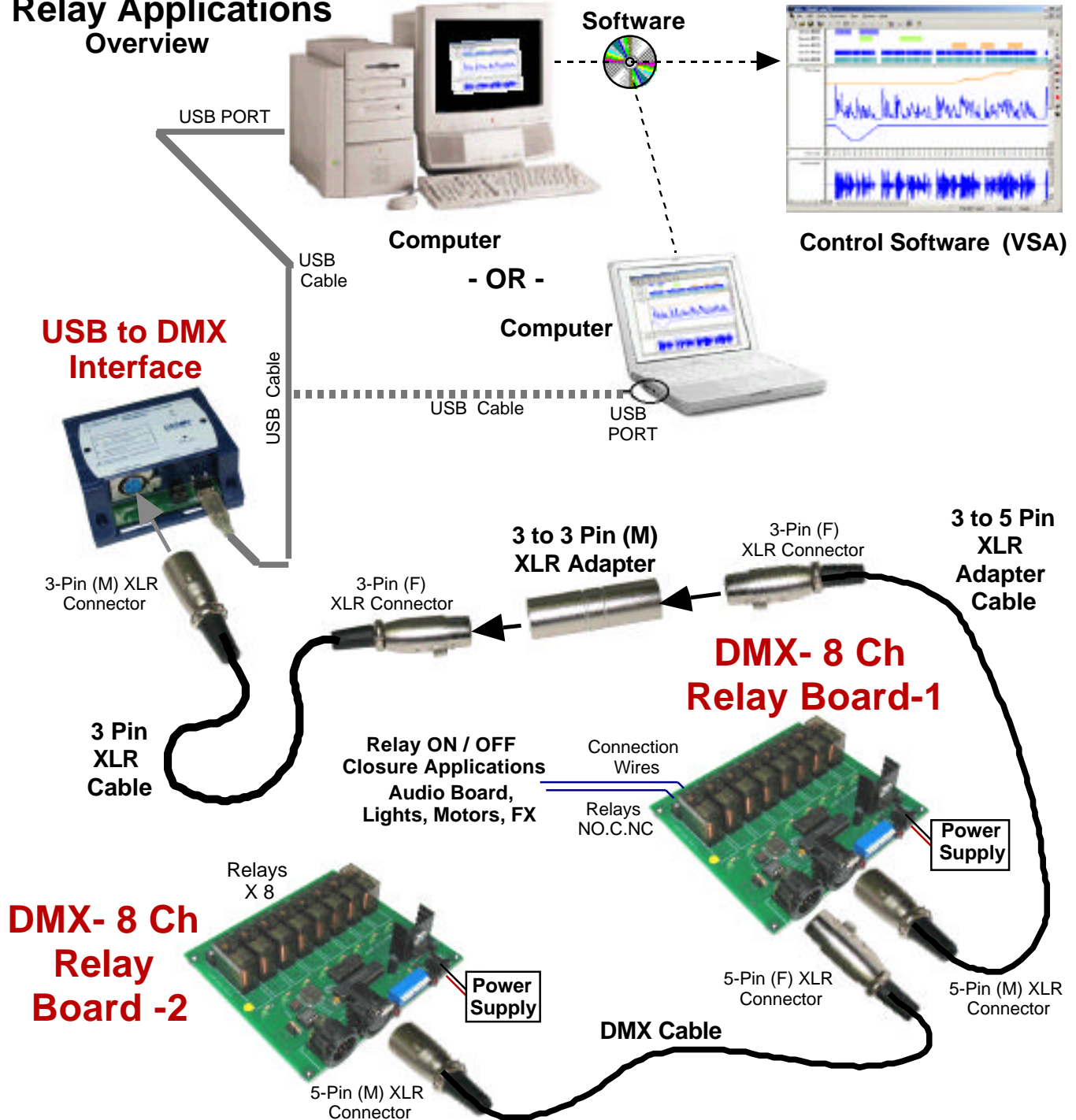
Custom Equipment, Unique Electronic Products

Blue Point Engineering

Phone (303) 651-3794 (MST)
www.BPEsolutions.com

DMX 8-Channel Relay Board

Relay Applications Overview



Copyright © 2009 Blue Point Engineering, All Rights Reserved

Custom Equipment, Unique Electronic Products

Blue Point Engineering

Phone (303) 651-3794 (MST)
www.BPEolutions.com

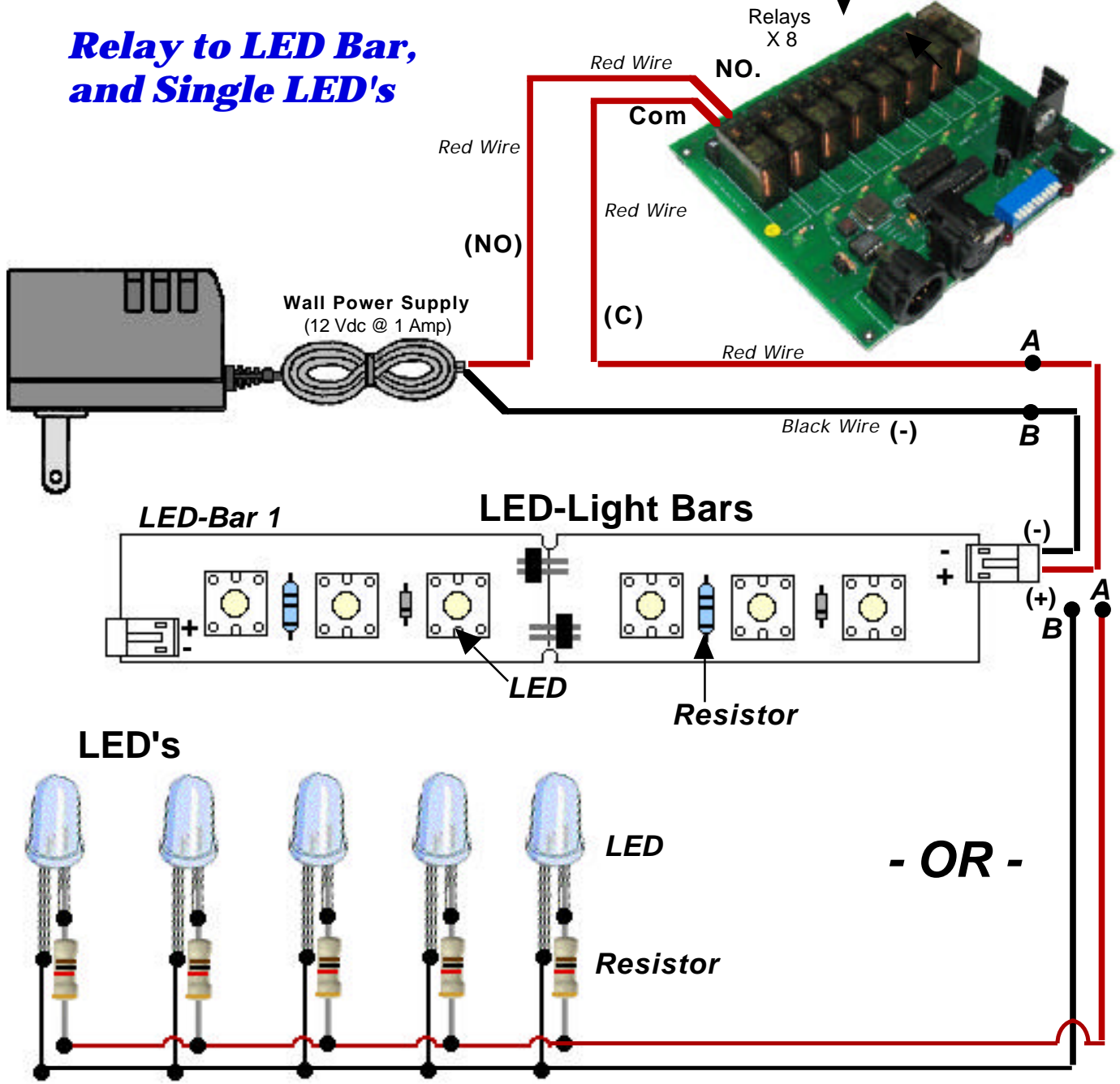
DMX 8-Channel Relay Board

Relay Applications Overview

Relay to LED Bar, and Single LED's

DMX- 8 Channel Relay Board

Relay Outputs



Copyright © 2009 Blue Point Engineering. All Rights Reserved

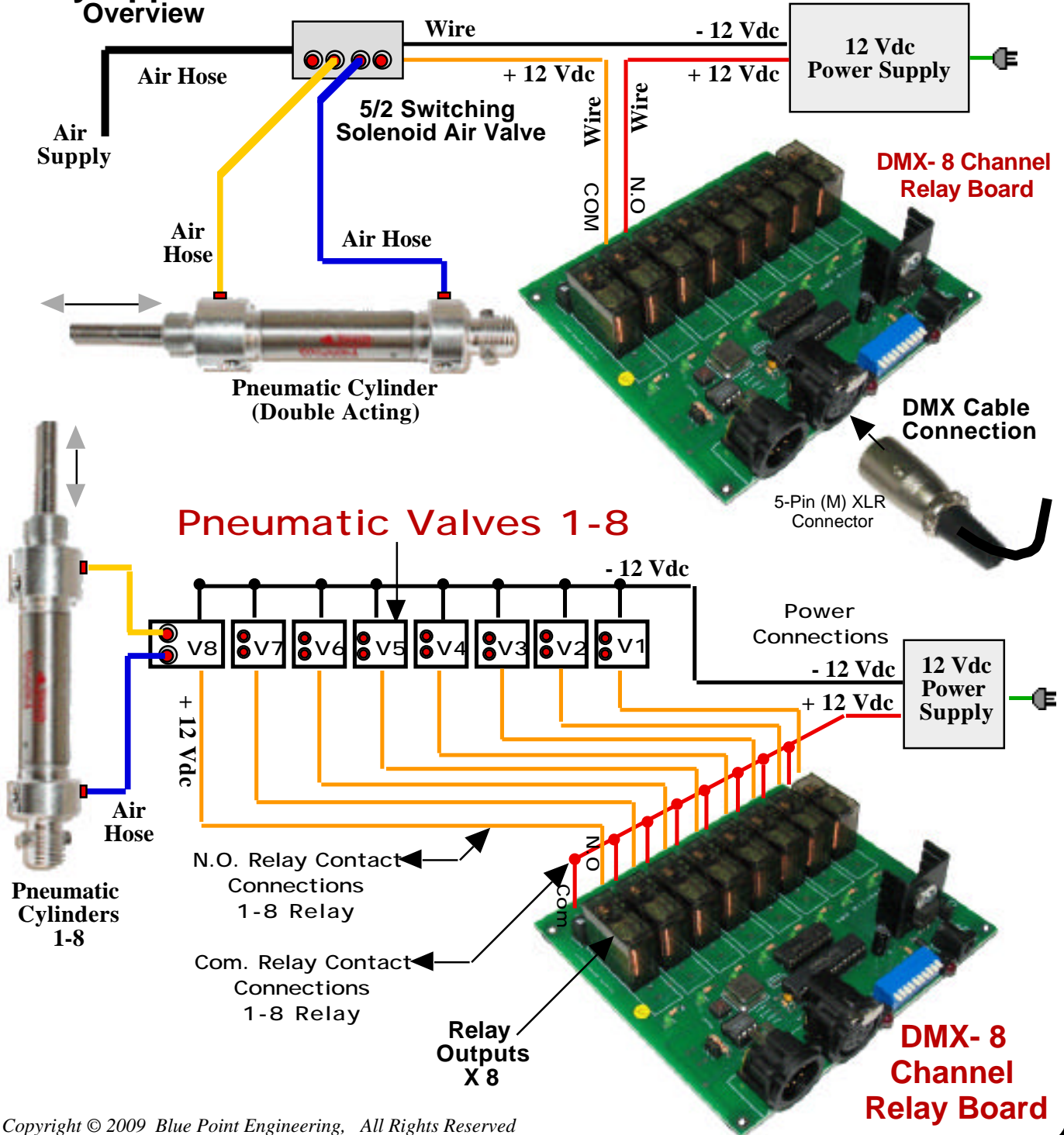
Custom Equipment, Unique Electronic Products

Blue Point Engineering

Phone (303) 651-3794 (MST)
www.BPEsolutions.com

DMX 8-Channel Relay Board

Relay Applications Overview



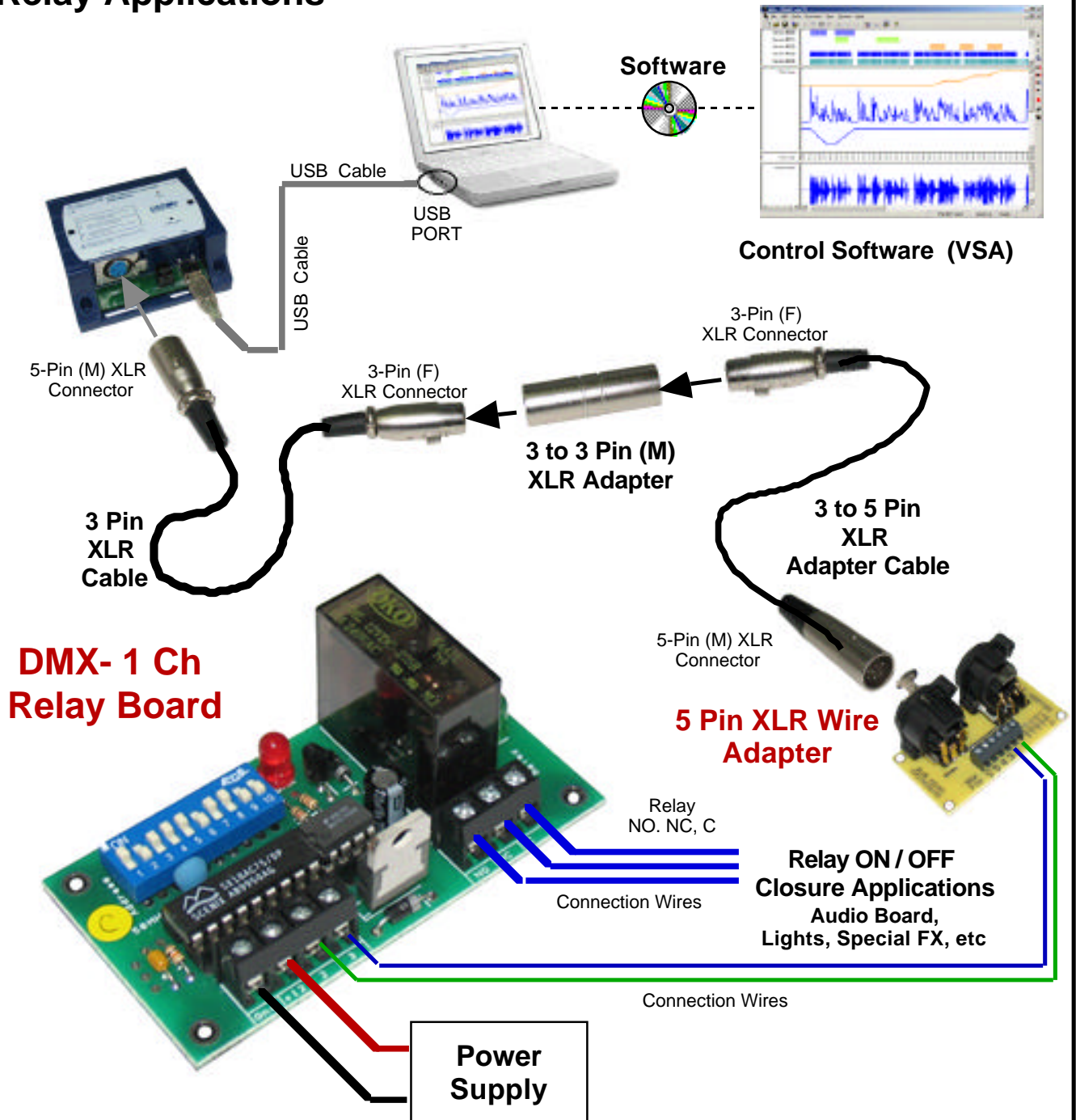
Custom Equipment, Unique Electronic Products

Blue Point Engineering

Phone (303) 651-3794 (MST)
www.BPEsolutions.com

DMX 1-Channel Relay Board

Relay Applications



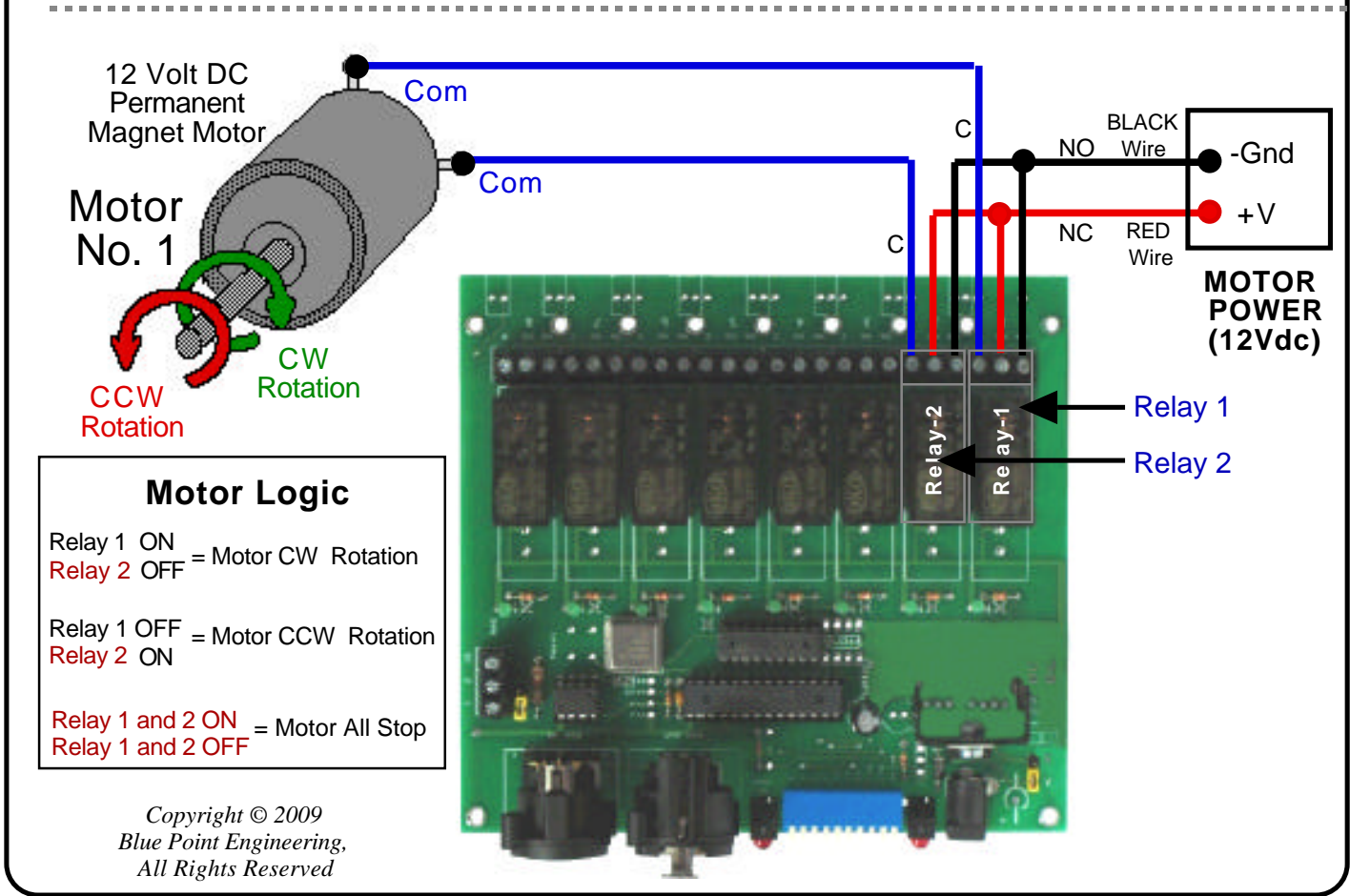
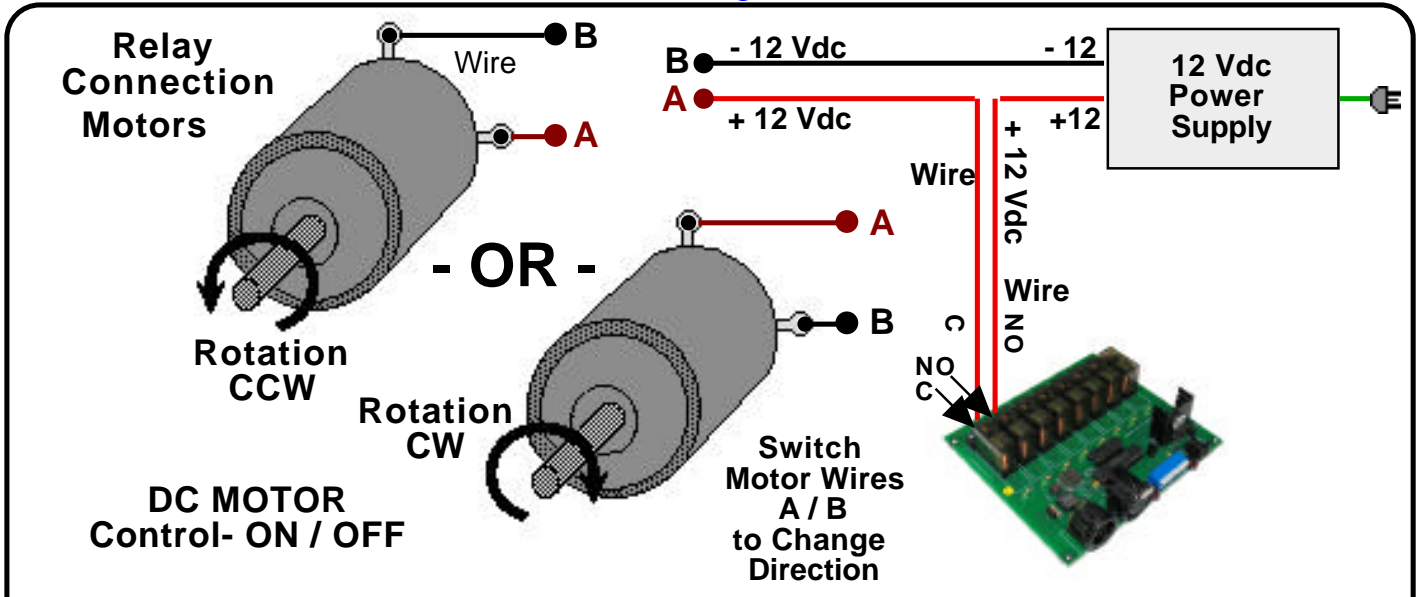
Copyright © 2009 Blue Point Engineering, All Rights Reserved

Custom Equipment, Unique Electronic Products

Blue Point Engineering

Phone (303) 651-3794 (MST)
www.BPEsolutions.com

DMX 8-Channel Relay Board



Custom Equipment, Unique Electronic Products

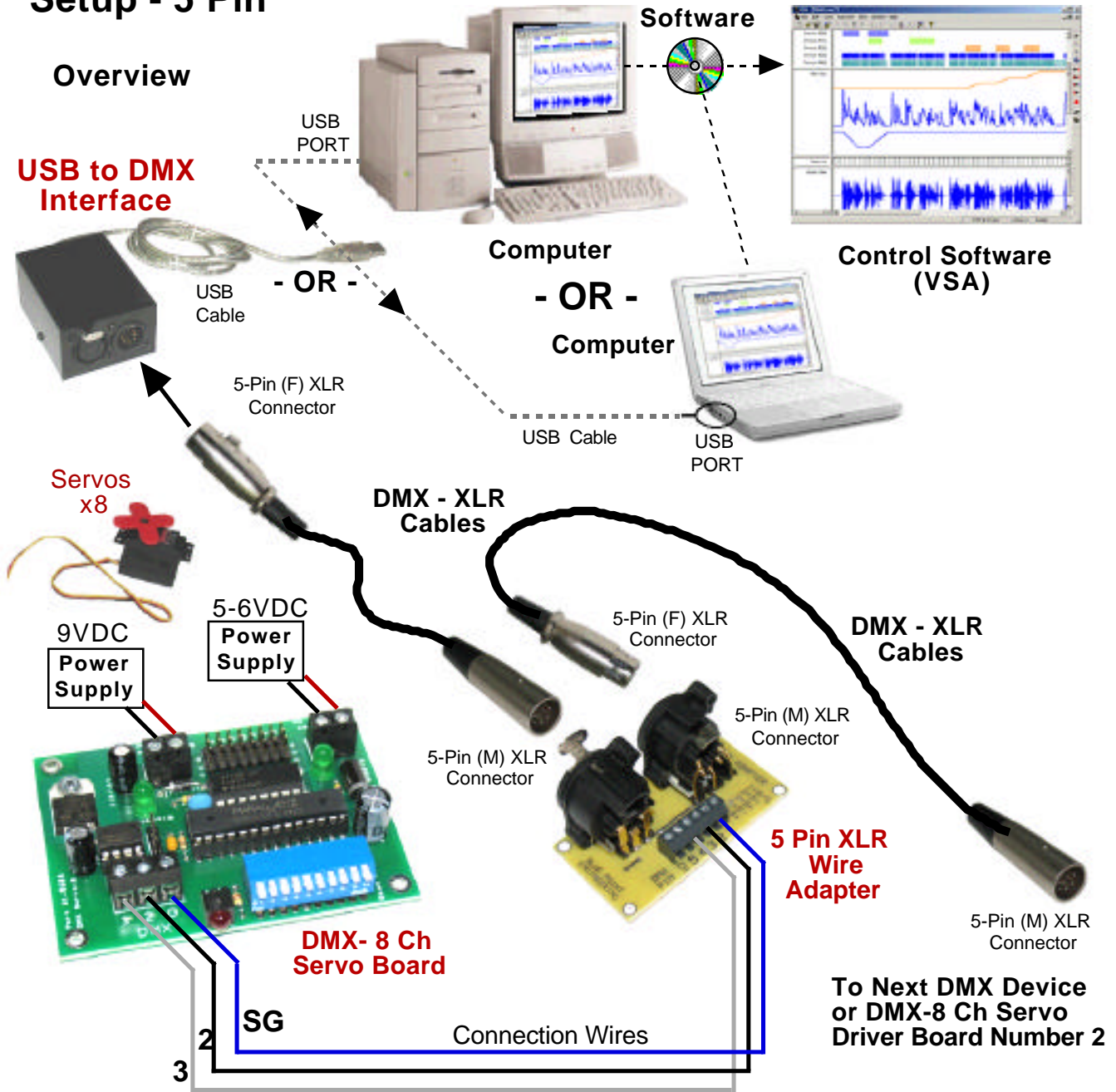
Blue Point Engineering

Phone (303) 651-3794 (MST)
www.BPEsolutions.com

DMX Control Setup

DMX Network Setup - 5 Pin

Overview



Copyright © 2009 Blue Point Engineering, All Rights Reserved

Custom Equipment, Unique Electronic Products

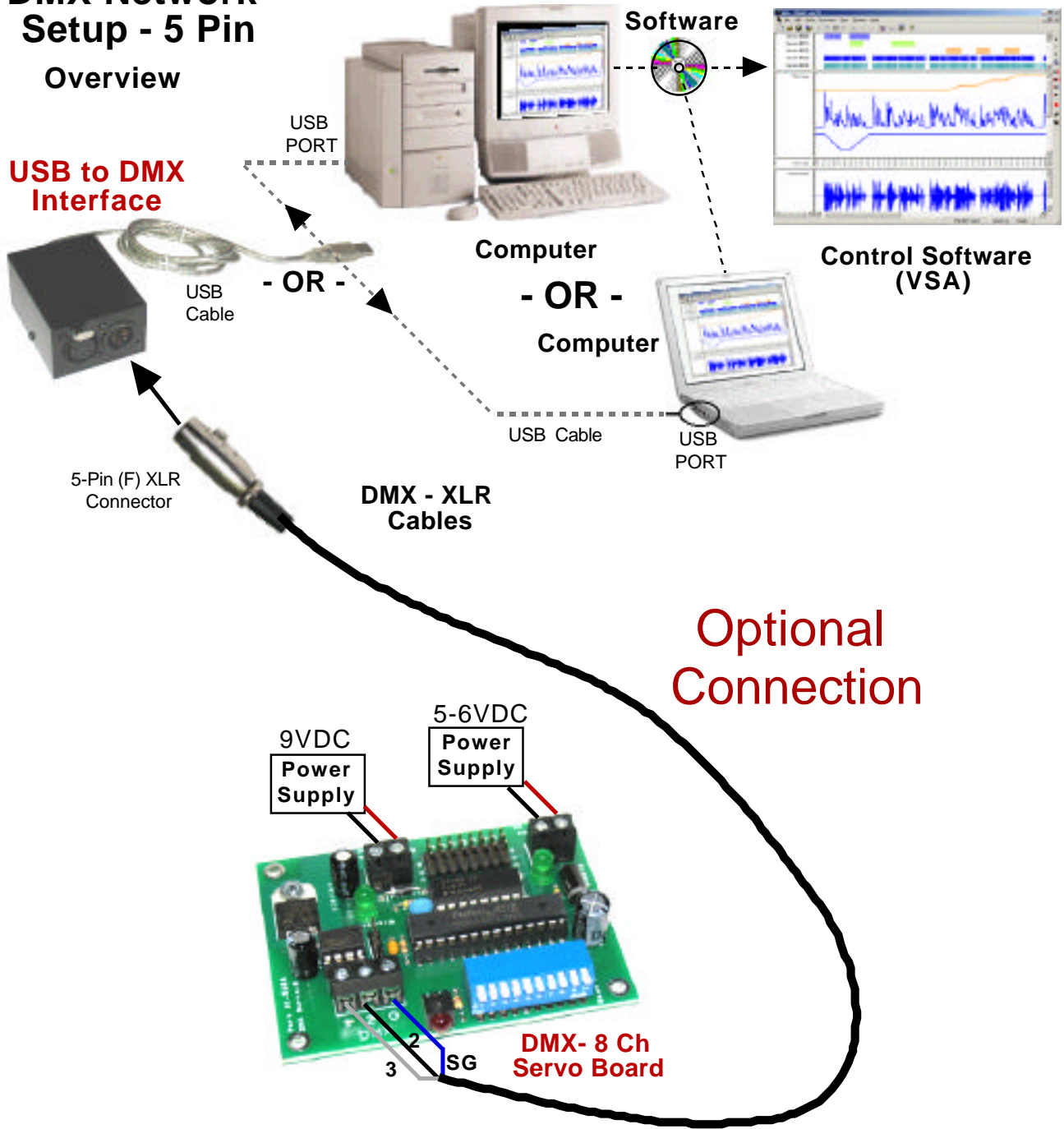
Blue Point Engineering

Phone (303) 651-3794 (MST)
www.BPEsolutions.com

DMX 8-Channel Servo Driver Board

DMX Network Setup - 5 Pin Overview

USB to DMX Interface



Copyright © 2009 Blue Point Engineering, All Rights Reserved

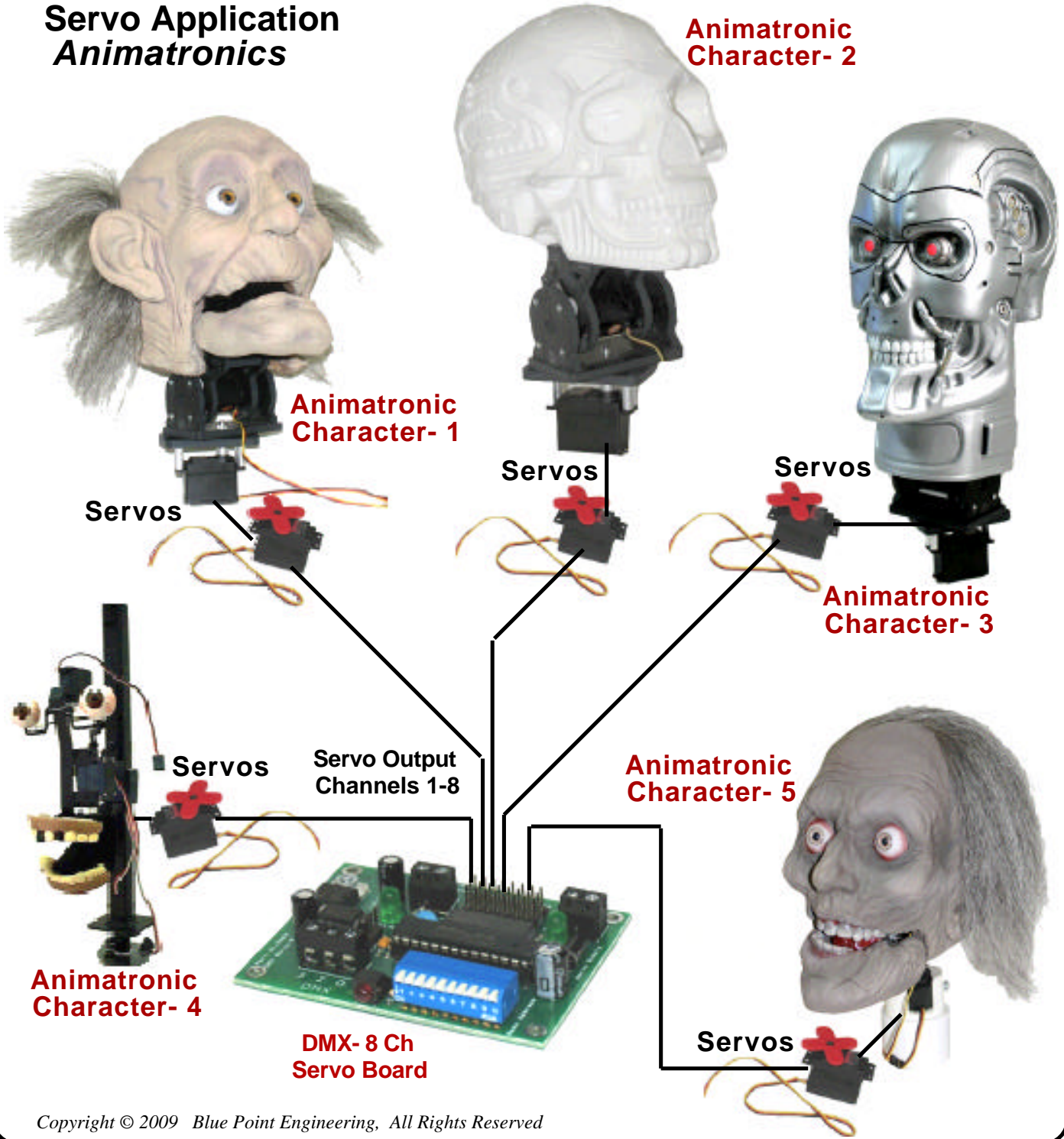
Custom Equipment, Unique Electronic Products

Blue Point Engineering

Phone (303) 651-3794 (MST)
www.BPEsolutions.com

DMX 8-Channel Servo Driver

Servo Application Animatronics



Copyright © 2009 Blue Point Engineering, All Rights Reserved

Custom Equipment, Unique Electronic Products

Blue Point Engineering

Phone (303) 651-3794 (MST)
www.BPEsolutions.com

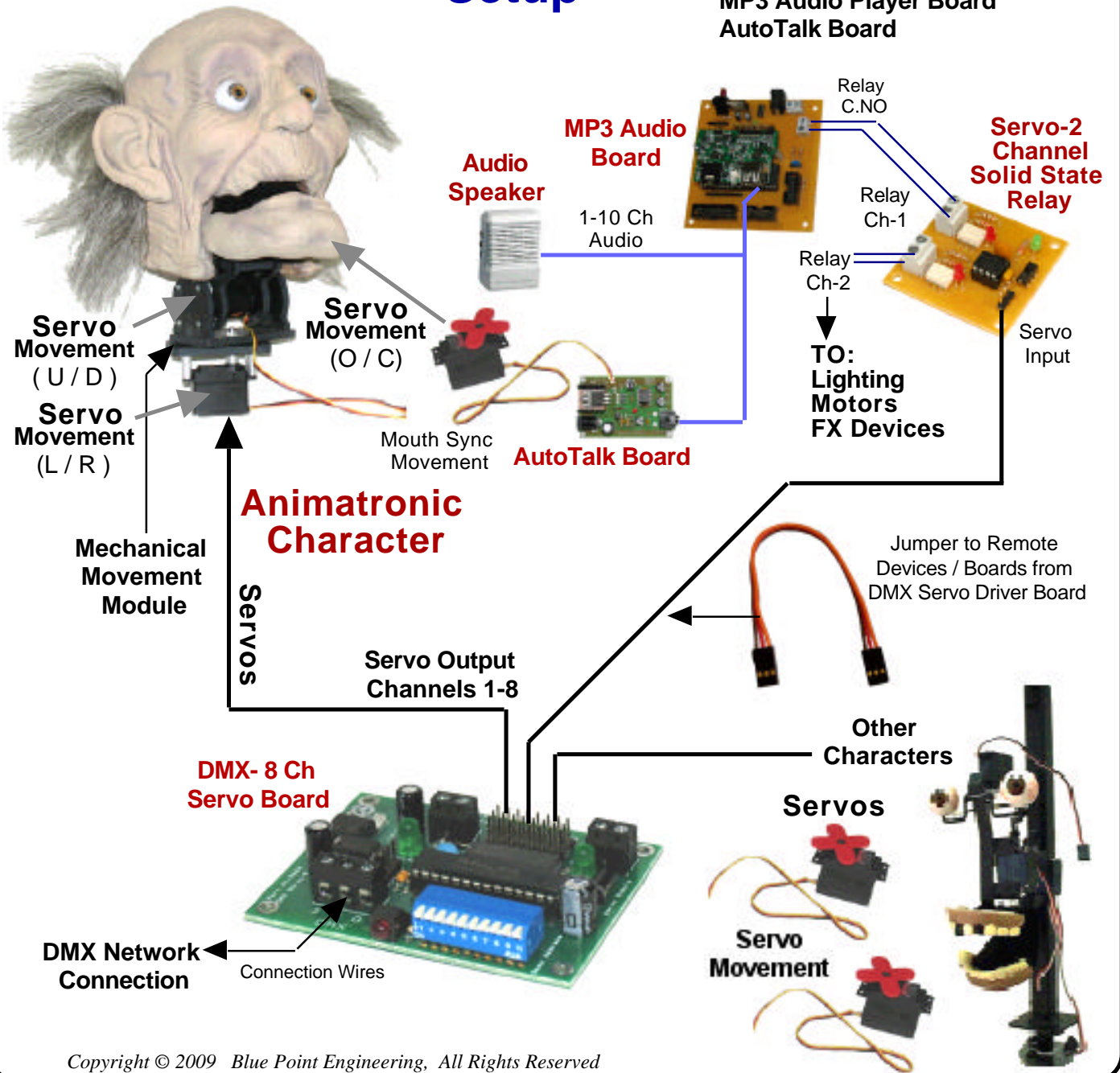
DMX 8-Channel Servo Board

Servo Applications

Overview
Animatronics

DMX - Hybrid Setup

8-Ch DMX Servo Driver
R/C Servos
Servo Controller Solid State Relays
MP3 Audio Player Board
AutoTalk Board



Copyright © 2009 Blue Point Engineering, All Rights Reserved

Custom Equipment, Unique Electronic Products

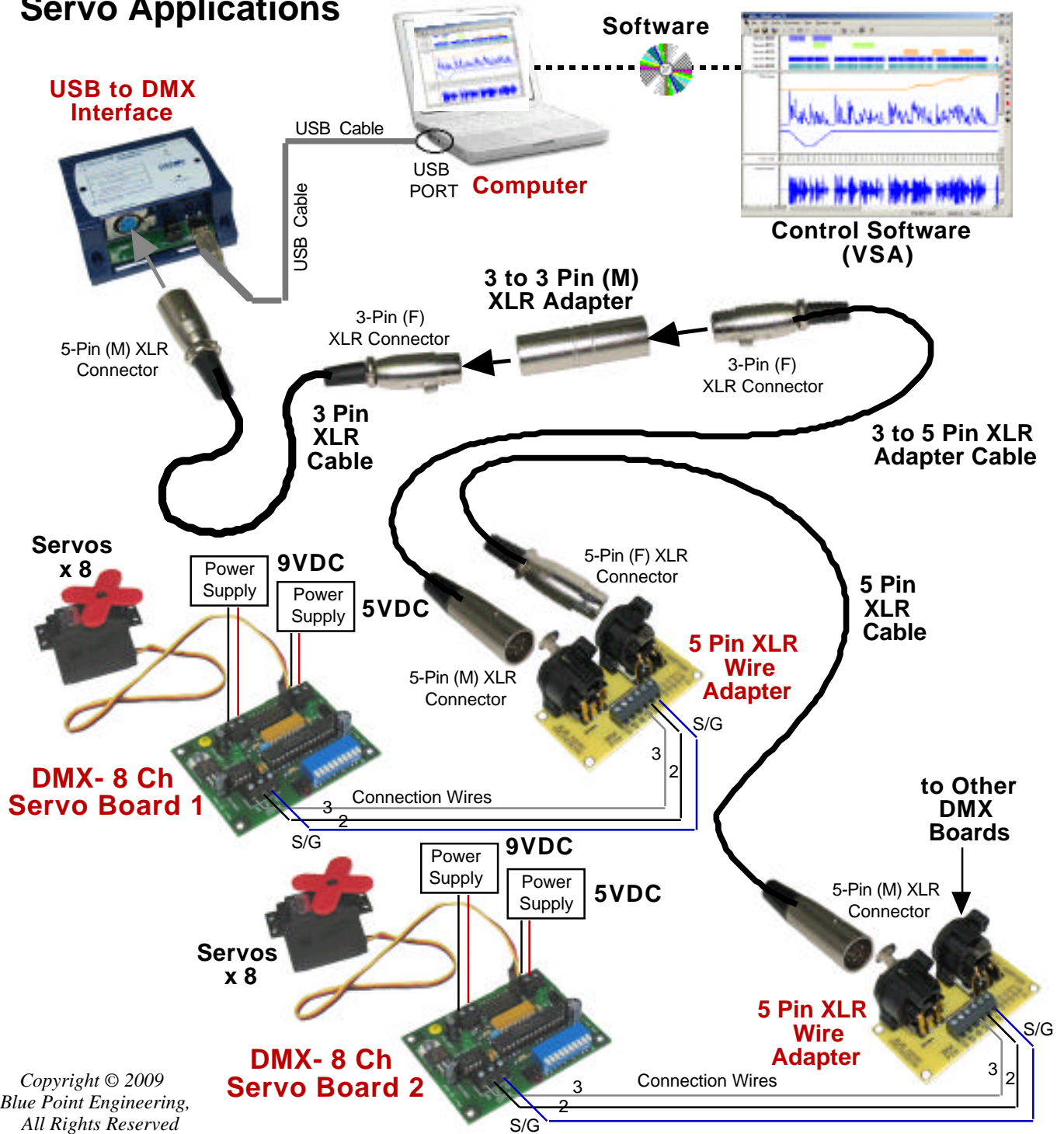
Blue Point Engineering

Phone (303) 651-3794 (MST)
www.BPEolutions.com

DMX 8-Channel Servo Board

Servo Applications

Software



Copyright © 2009
Blue Point Engineering,
All Rights Reserved

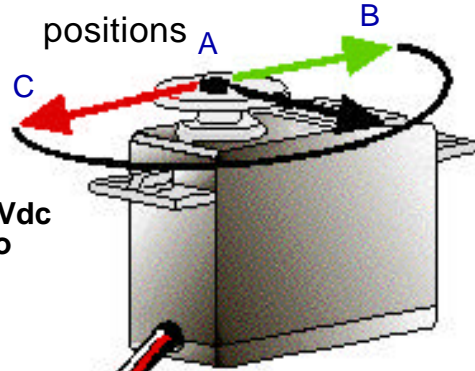
Custom Equipment, Unique Electronic Products

Blue Point Engineering

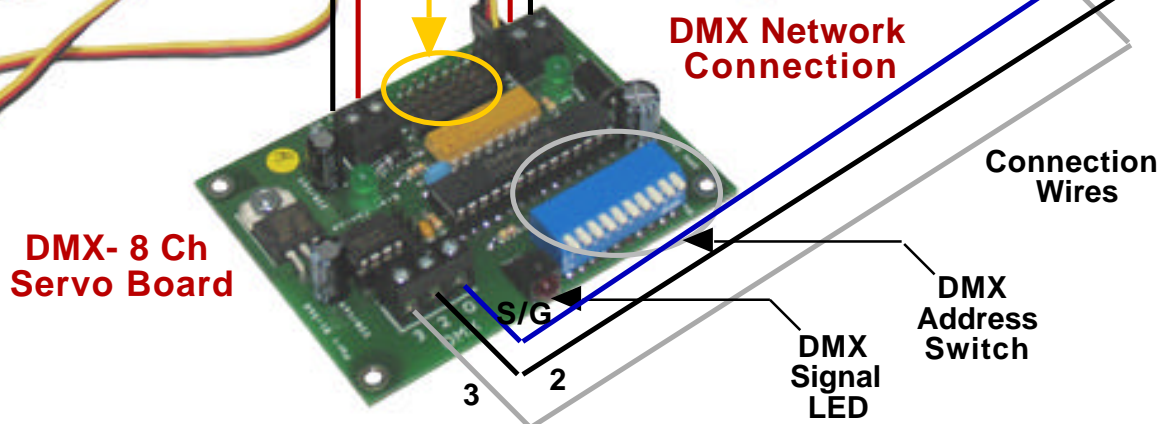
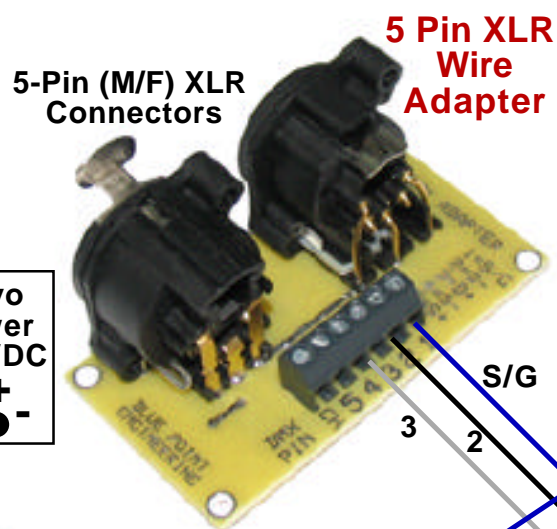
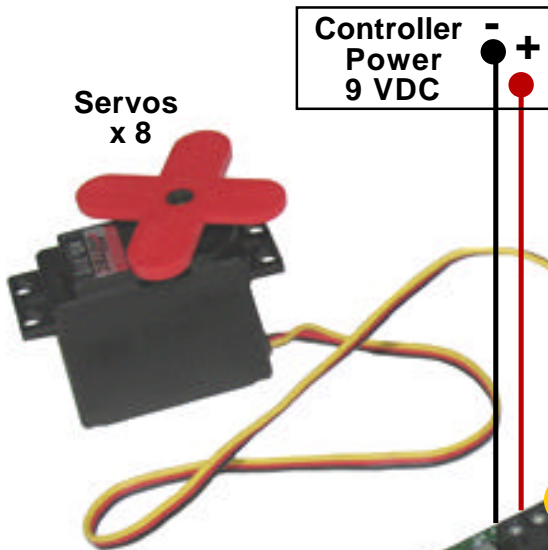
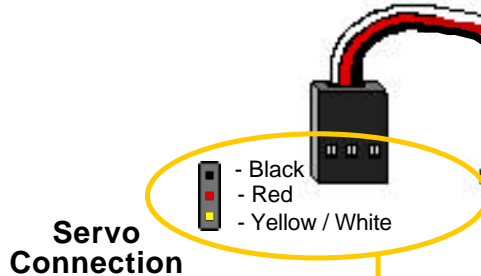
Phone (303) 651-3794 (MST)
www.BPEolutions.com

DMX 8-Channel Servo Board

DMX Servo Driver Board to Optional DMX XLR- Adapter



Standard +5 Vdc R/C Servo



Copyright © 2009 Blue Point Engineering, All Rights Reserved

Custom Equipment, Unique Electronic Products

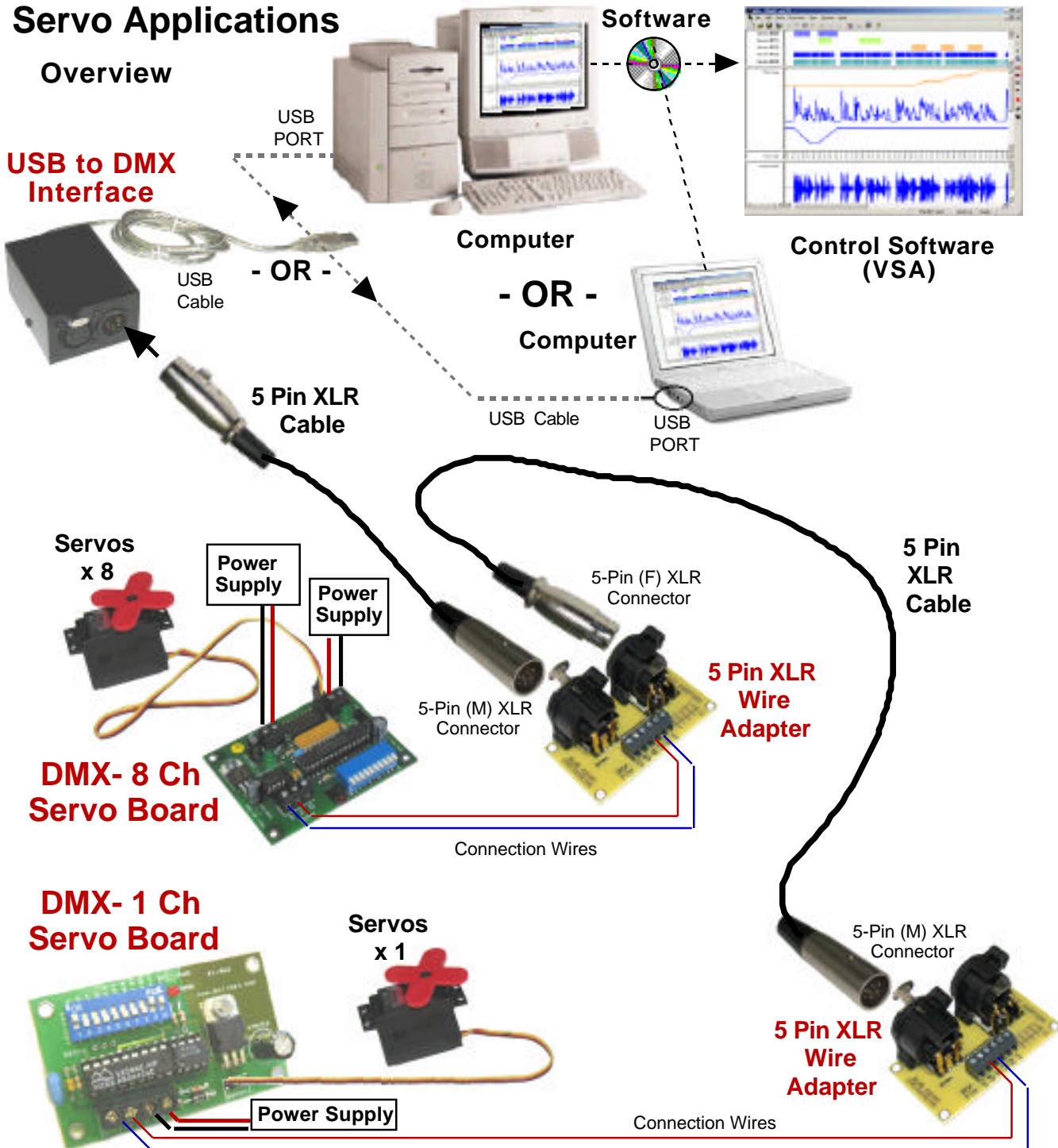
Blue Point Engineering

Phone (303) 651-3794 (MST)
www.BPEsolutions.com

DMX 8-Channel Servo Board

Servo Applications

Overview



Copyright © 2009 Blue Point Engineering, All Rights Reserved

Custom Equipment, Unique Electronic Products

Blue Point Engineering

Phone (303) 651-3794 (MST)
www.BPEolutions.com

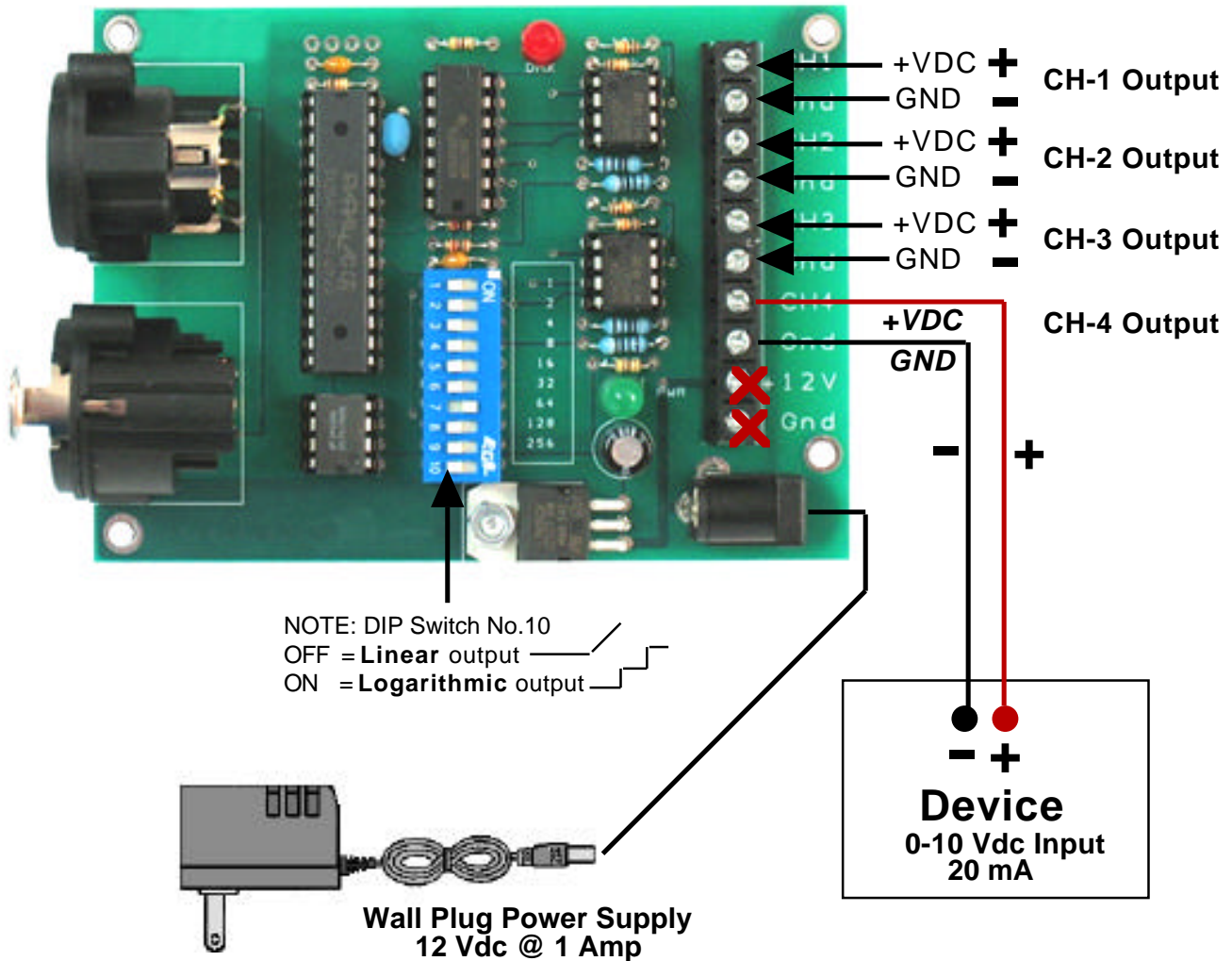
DMX 4-Ch Voltage Converter Board

Voltage Converter Connection

Channel Output Connection

0.0 - 10.0 VDC
20 mA

Linear or Logarithmic output



Copyright © 2009 Blue Point Engineering, All Rights Reserved

Custom Equipment, Unique Electronic Products

Blue Point Engineering

Phone (303) 651-3794 (MST)
www.BPEsolutions.com