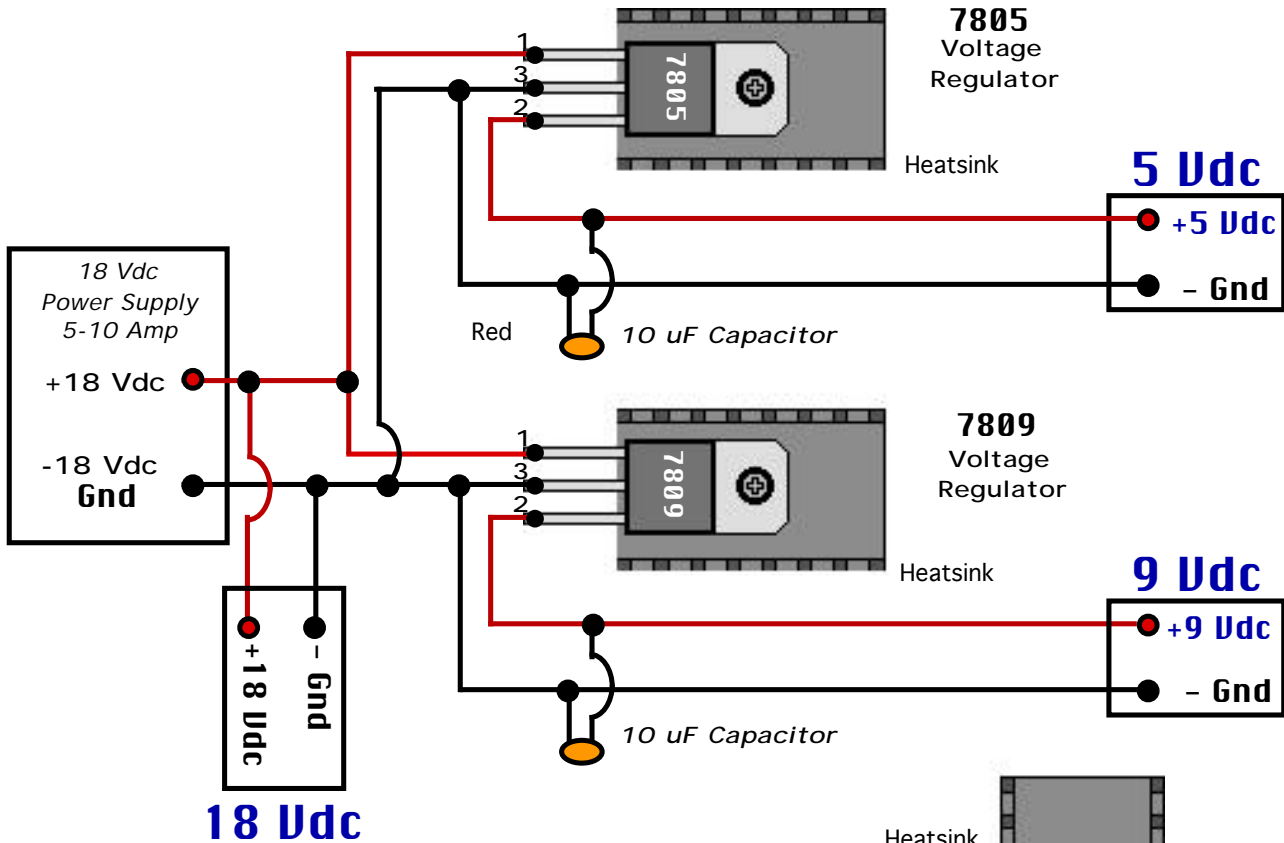


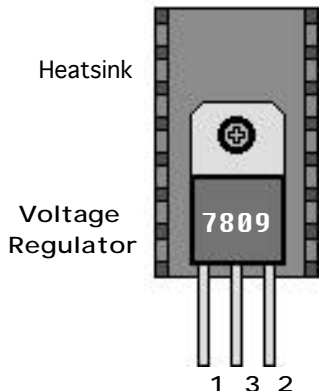
Voltage Converter

18 Vdc to +5 Vdc and +9 Vdc

1 = Input (18 Vdc)
 3 = Gnd
 2 = Output (9 Vdc / 5 Vdc)



18 Vdc to +5 Vdc and +9 Vdc Converter	
7805	Voltage Regulator
7809	Voltage Regulator
10 uF	Capacitor
18 Vdc Supply	Power Supply
Heatsink	



1 = Input (18 Vdc)
 3 = Gnd
 2 = Output (9 Vdc / 5 Vdc)

Copyright © 2001 Blue Point Engineering

Custom Equipment, Unique Electronic Products

Blue Point Engineering

Phone (303) 651-3794
http://www.BPEsolutions.com