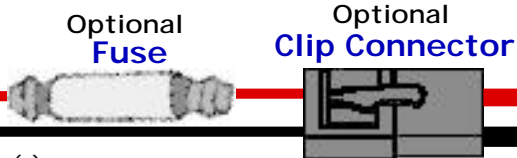
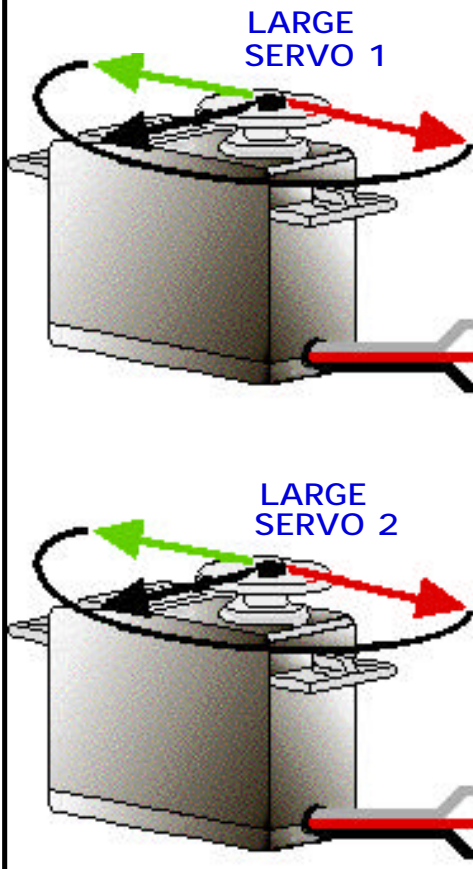


Duo Servo Control From
1-Channel Board PWM Output
Wizard-1 Interface Board

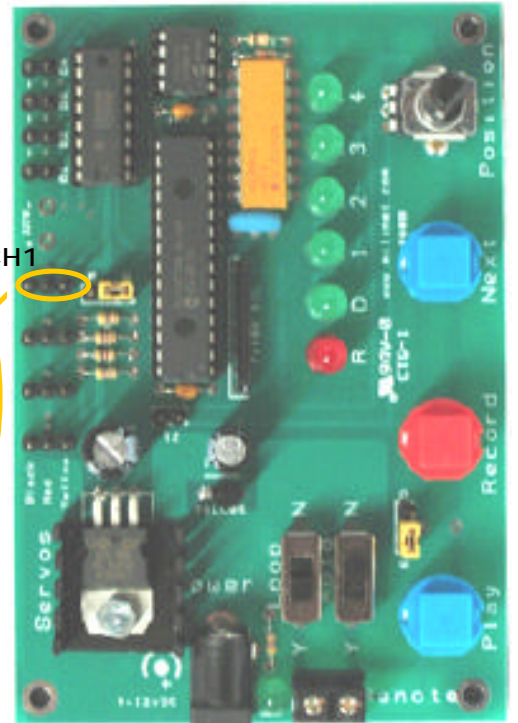
SERVO POWER
POWER SUPPLY
5-6 VDC
3-5 Amp

▪ - Black (-)
▪ - Red (+)

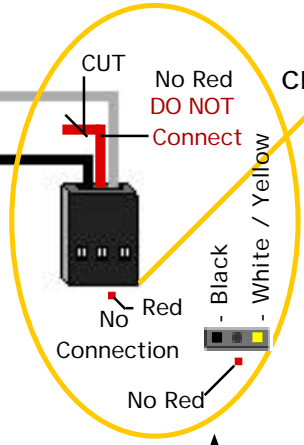
Servo Red wires must not be connected to controller board
Wizard-1 Board



Wizard-1 Board



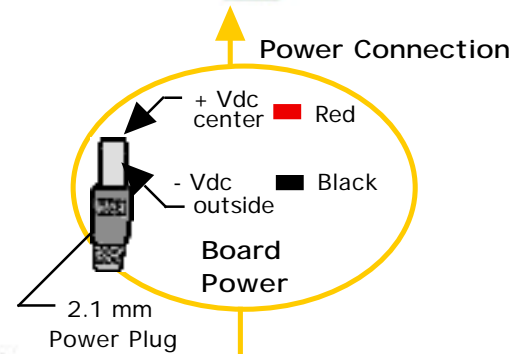
Optional Duo Servo Power Connection



Servo 1 and Servo 2 are controlled together from Channel 1 servo PWM output signal on Wizard-1 Board

DO NOT Connect

CAUTION DO NOT Connect Servo Power plus leads (+ RED) from Servo 1 or Servo 2 to the Wizard-1 Board, it will be damaged



Wall Plug Power Supply
9 Vdc @ 2.0 Amp

Duo Servo Control From 1-Channel Board PWM Output
Wizard-1 Interface Board

2 - SERVO Connection

