

## Sound - Solenoid Driver

### Sound Activated Solenoid Driver Board



Board accepts audio input from any non-amplified sound source (Computer, CD player, Digital Sound Board or Microphone) and activates a Solid State Relay ON and OFF in sync with the incoming audio signal.

The on-board 1 Amp Solid State Relay can be connected to any device using (3-60 Vdc @ 1 Amp power). Common application include driving a pneumatic solenoid valve, water valve to sound or operating large bank of LED's -DC lighting to the incoming sound.

There is an on-board potentiometer that is used to adjust the sensitivity to the incoming sound. The board has a 1/8" phono jacks for input that can be switched as a left or right audio input signal for more precision audio sync to incoming sound signal track.

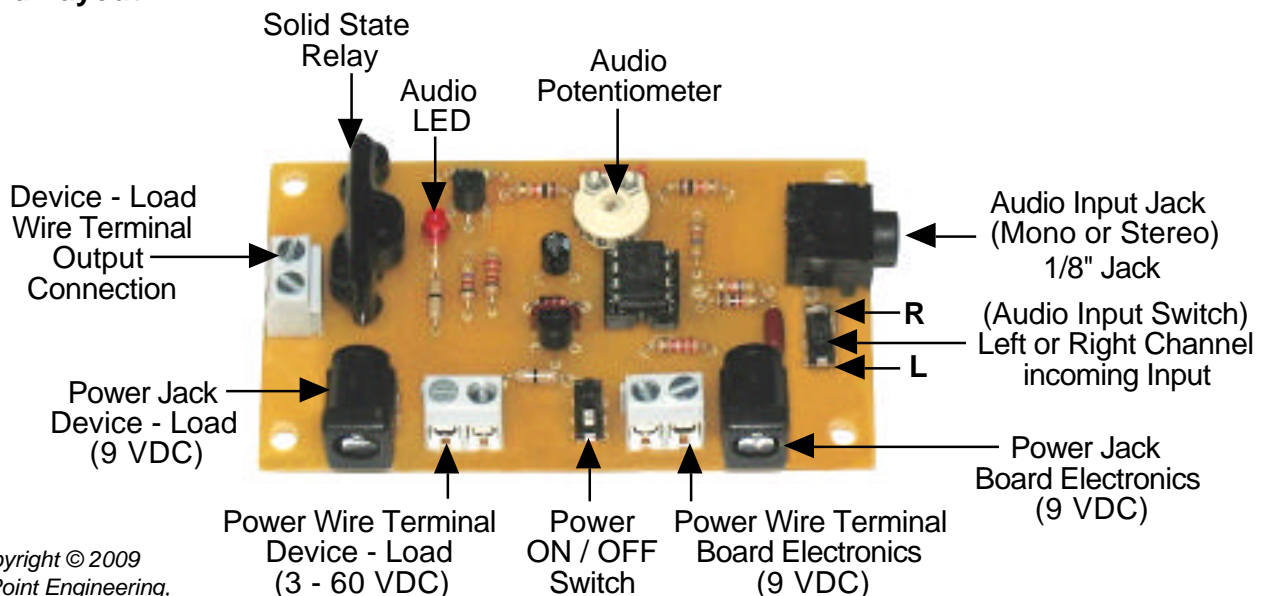
An on board LED indicates when the 1 Amp Solid State Relay is activated. Relay has wire terminal block contacts for connecting directly to device / load and quick connect power jack or wire terminal block for device power input.

Board can operate devices / loads requiring 3-60 VDC at 1 Amp load.

Board uses two power inputs, one for the on-board electronics and another for the solenoid valve. (9-12 Board Power, and 3-60 Vdc Load Power). Max Relay Output Current = 1 Amp

Board Size Approx:  
3-1/4" L x 2" W x 5/8" H  
Relay = 1 Amp @ 60 VDC

#### Board Layout



Copyright © 2009  
Blue Point Engineering,  
All Rights Reserved

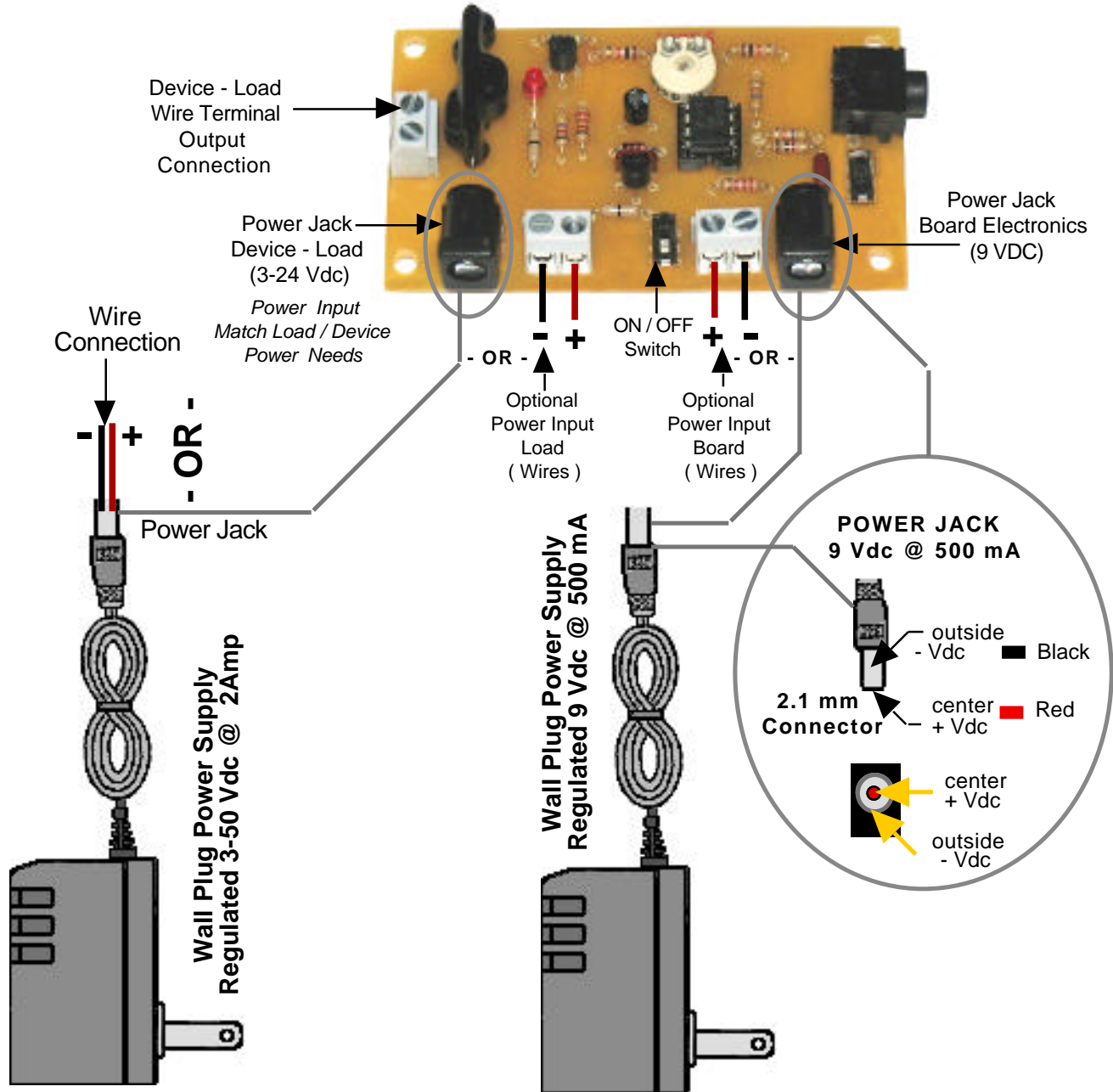
Custom Equipment, Unique Electronic Products

Blue Point Engineering

Phone (303) 651-3794 (MST)  
www.BPEolutions.com

## Sound - Solenoid Driver

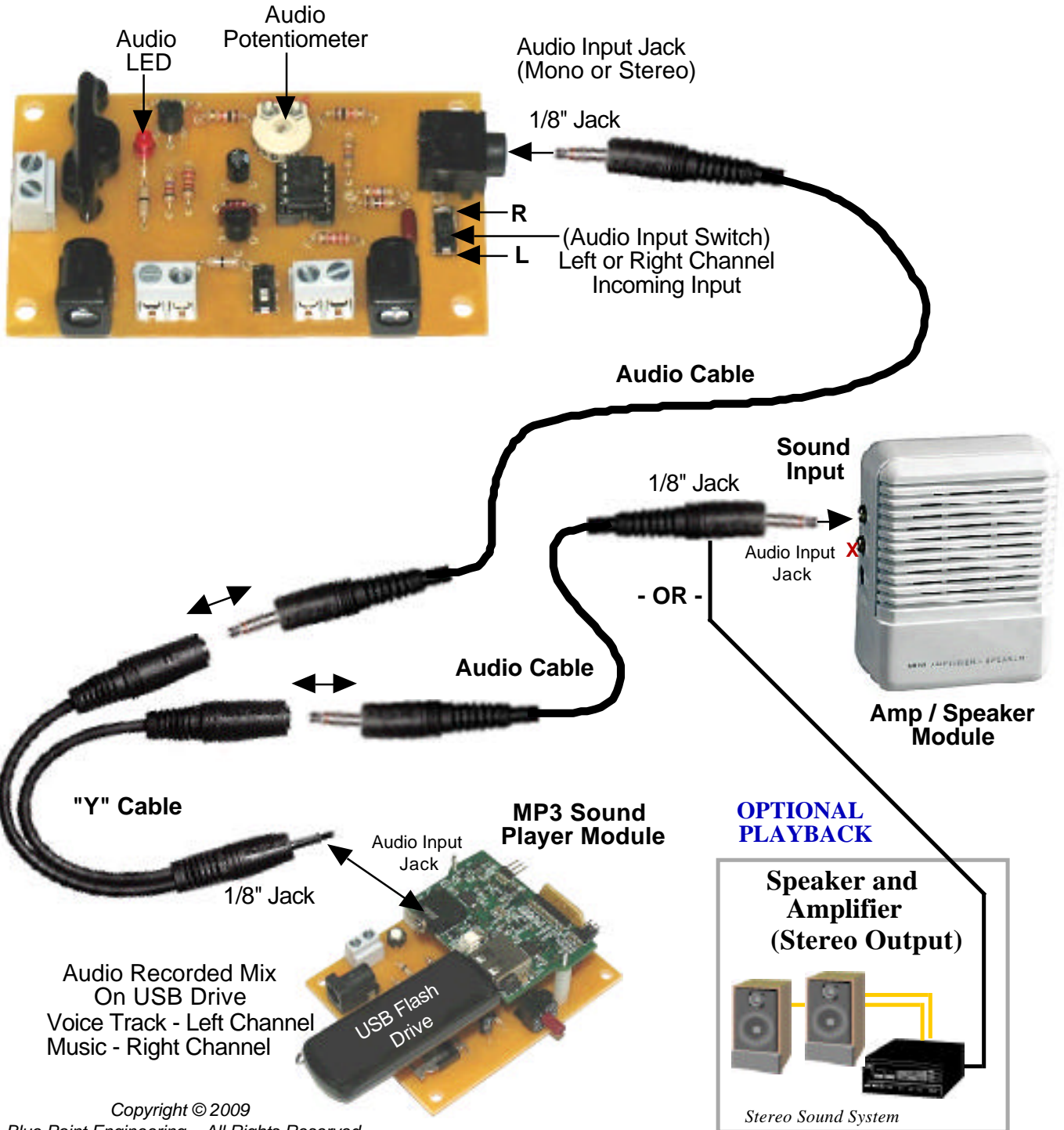
### Board Connection POWER



Copyright © 2009 Blue Point Engineering, All Rights Reserved

## Sound - Solenoid Driver

### Audio Layout



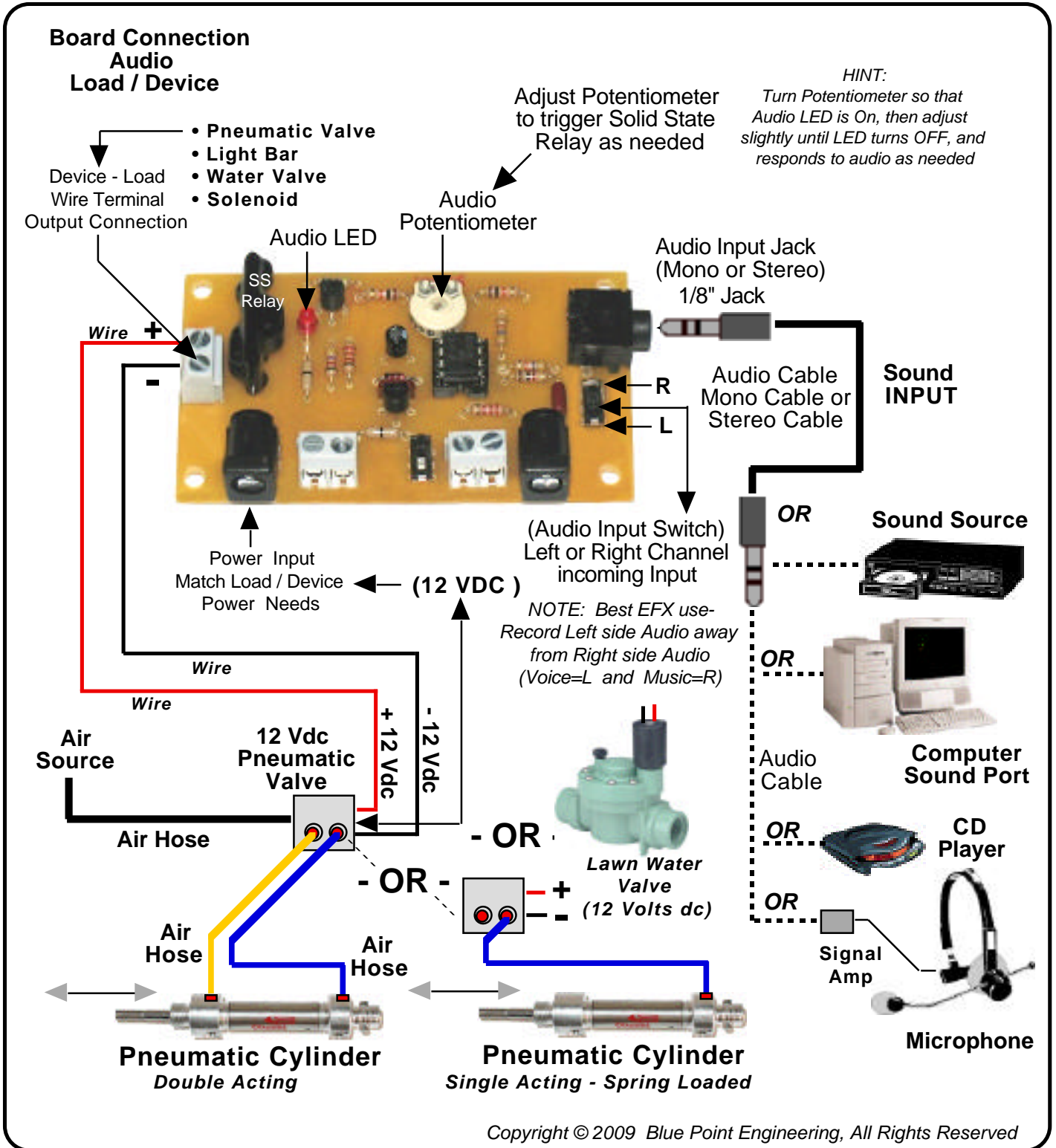
Copyright © 2009  
Blue Point Engineering, All Rights Reserved

Custom Equipment, Unique Electronic Products

Blue Point Engineering

Phone (303) 651-3794 (MST)  
www.BPEsolutions.com

## Sound - Solenoid Driver



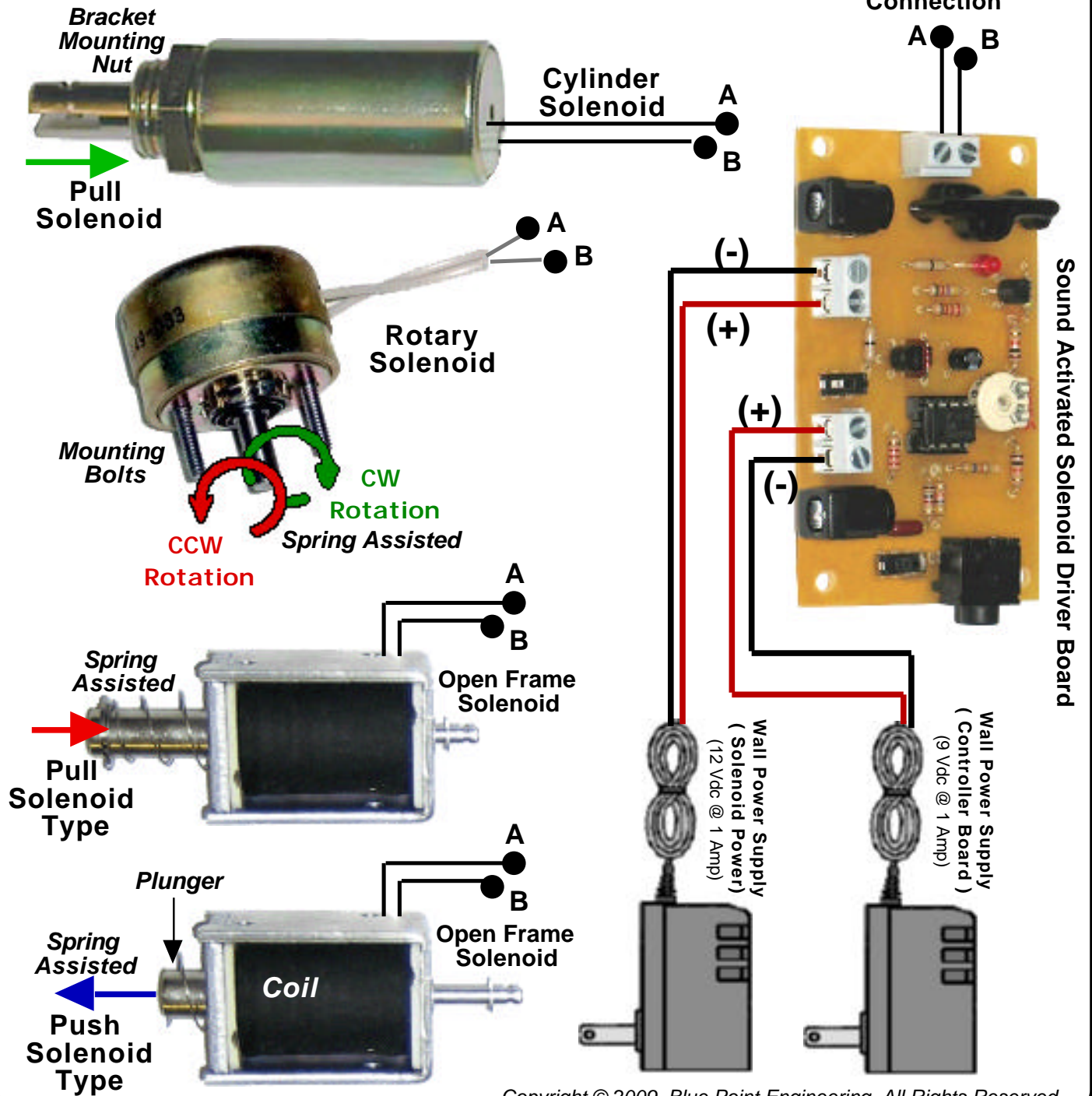
Custom Equipment, Unique Electronic Products

Blue Point Engineering

Phone (303) 651-3794 (MST)  
www.BPEsolutions.com

## Sound - Solenoid Driver

### Solenoid Devices



Copyright © 2009 Blue Point Engineering, All Rights Reserved

Custom Equipment, Unique Electronic Products

Blue Point Engineering

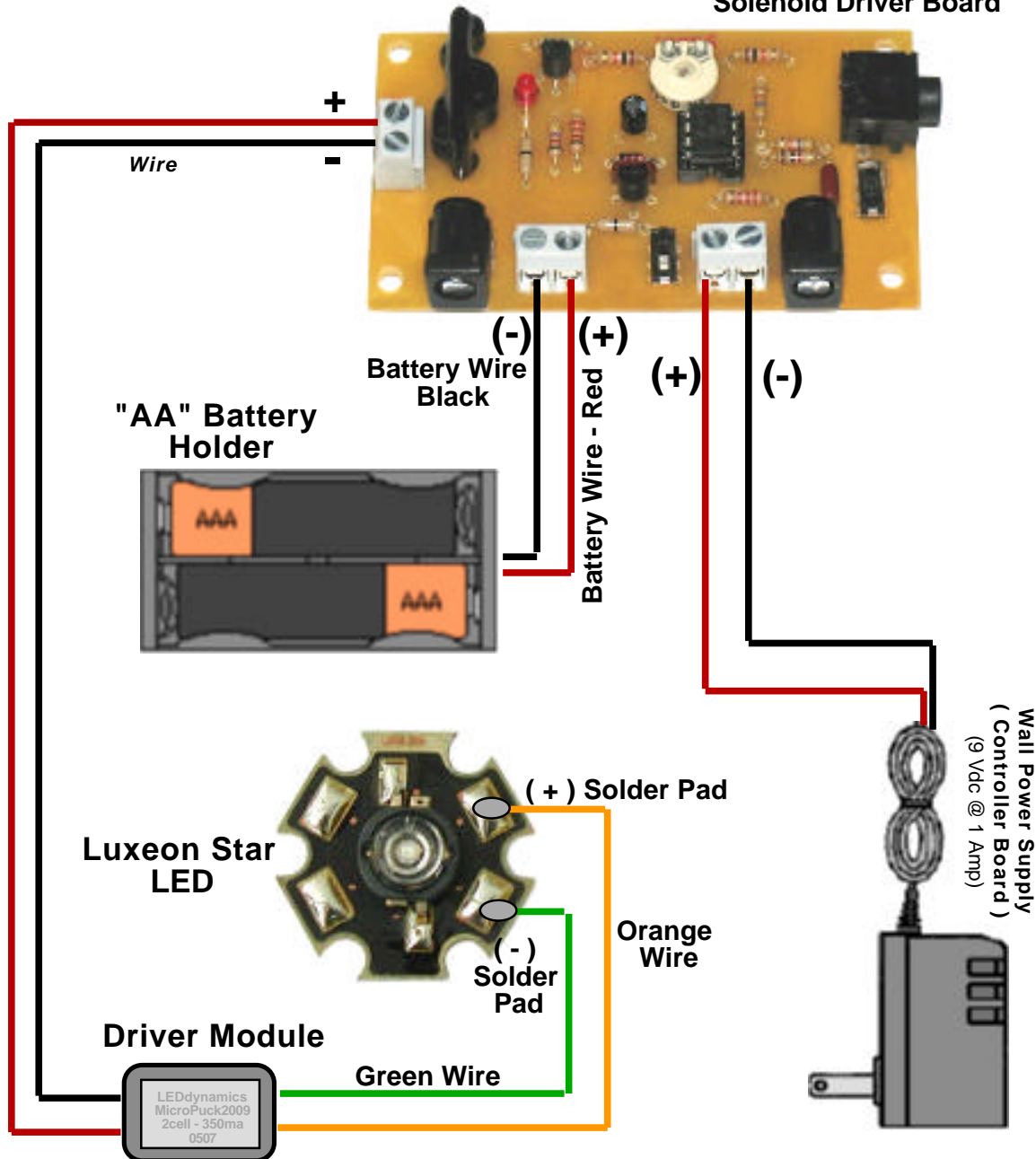
Phone (303) 651-3794 (MST)  
www.BPEsolutions.com

## Sound - Solenoid Driver

**LED Star (LUXEON) Connection**

**Solid State Relay Connection**

**Sound Activated Solenoid Driver Board**



Copyright © 2009 Blue Point Engineering, All Rights Reserved

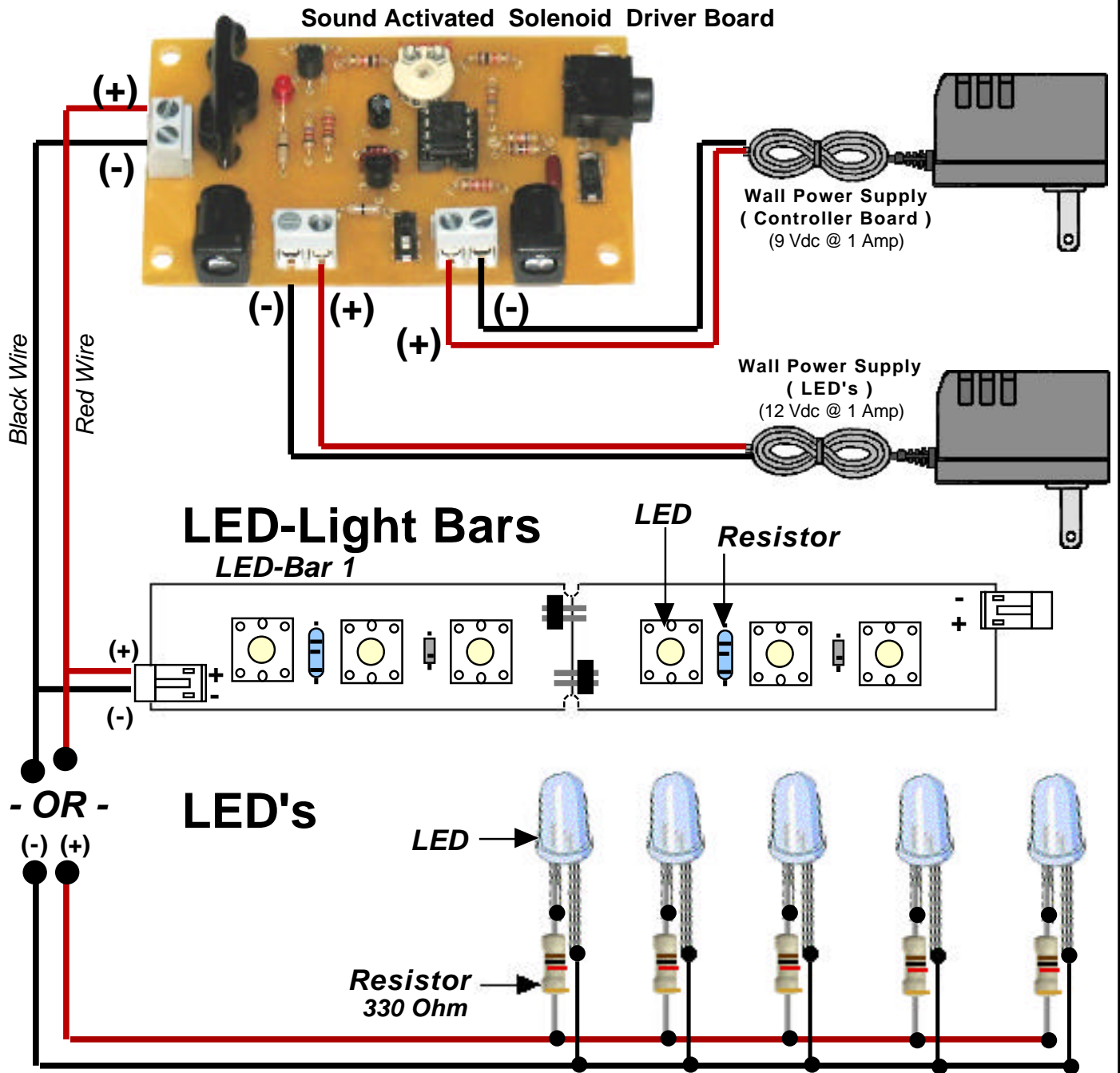
*Custom Equipment, Unique Electronic Products*

*Blue Point Engineering*

Phone (303) 651-3794 (MST)  
www.BPEsolutions.com

## Sound - Solenoid Driver

### LED Connection



Copyright © 2009 Blue Point Engineering, All Rights Reserved