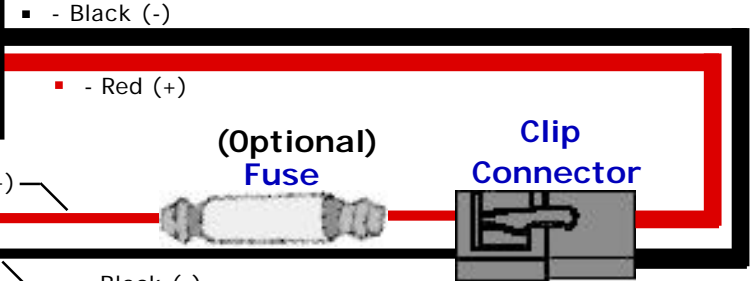
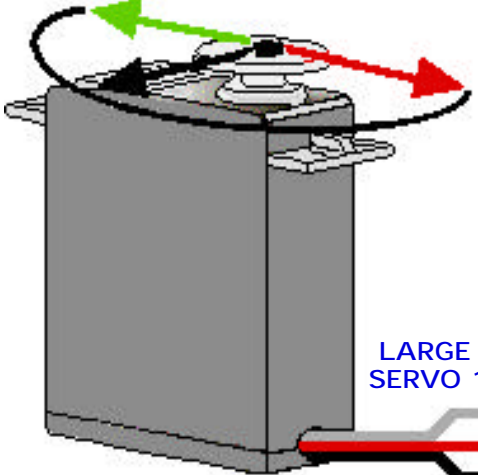


POWER SUPPLY
5-6 VDC
3- 5 Amp

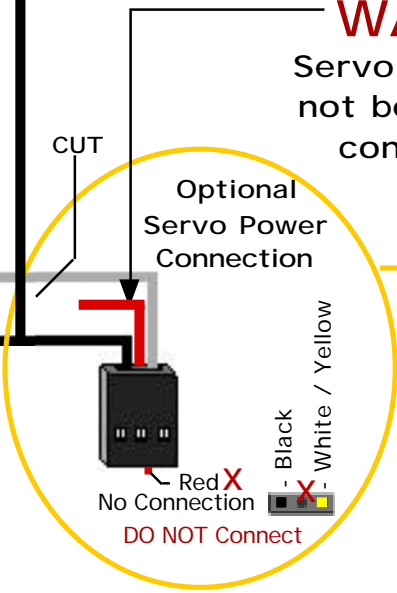


*Optional Power Set-up
Large R/C Servos*



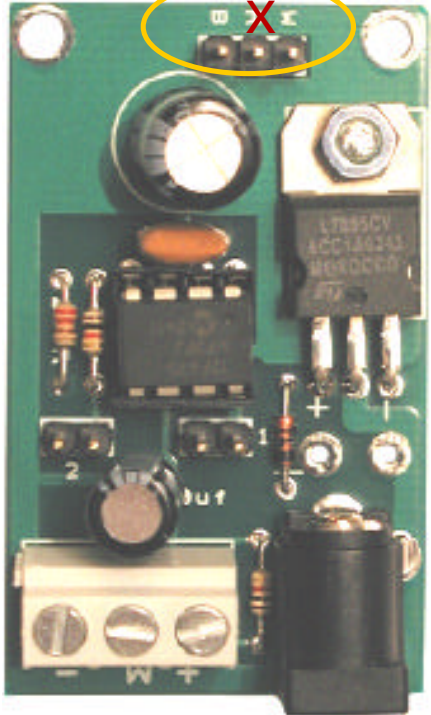
WARNING

Servo Red wire must not be connected to controller board



Large Quarter Scale
Size R/C Servo,
Digital Servos
or High Current Servos

Wizard 12
Board Example



Powering Larger R/C Servos

Digital / Quarter Scale Sizes
High Current Servo

Power Supply
9 VDC
1 Amp