

# Mini Programmable Relay Board

## Optional Output Control Mode Examples



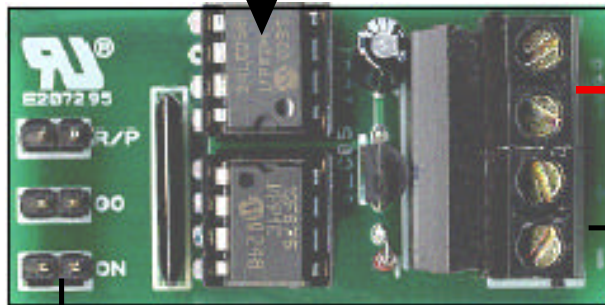
Example Prop

### Programming Examples

No Computer Needed

4.5 User Programmable Hours Available on-Board

On-board Programming EEPROM Memory



Board Size:  
1- 7/8" L x 1" W x 5/8" H



### Inputs Examples

Manual Switch  
IR Switch  
Board to Board  
Ultrasonic Switch  
Time Based Switch  
Step-Hidden Switch  
Beam Switch  
Other

### Power Options Examples

AC-Wall Adapter  
R/C Battery - Mobile  
Voltage Regulators  
Multiple Voltage Sources

7.5 - 9.0 Vdc Power @ 20 mA  
Power Supply Needed

### Relay Output Examples

#### VDC Direct Output

DC Lighting Effects  
LED's  
Lightning Wire

#### DC Devices

#### 2nd Relay (DC)

Switched On/Off Devices  
High Power Controller

#### VAC Control

AC Board Driver  
AC Colored Light Bulbs  
AC Strobe Unit  
AC Fogger Unit  
AC Sound System  
AC Devices

#### Servo Motor

PWM Board Driver  
Rotary CW / CCW  
Linear Servo  
Positional Servo  
Switching Servo

#### DC Motor

Rotary CW / CCW

#### AC Motor

AC Motor Driver  
Rotary CW / CCW

#### Pneumatic Valve

Single Action Cylinders  
Multi- Action Cylinders

#### Solenoid / Water Valve

Fountain Effects  
Confetti Cannons  
Air / Water Effects

#### DC Solenoids

Rotary  
Linear

#### Sound Units

Driver Boards  
Digital

#### Piezo Sounders

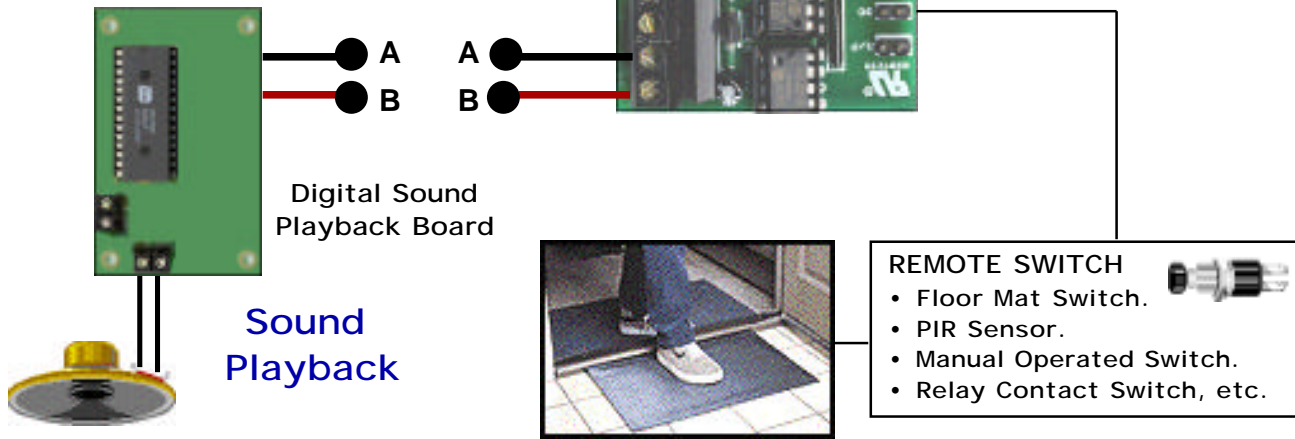
Custom Equipment, Unique Electronic Products

Blue Point Engineering

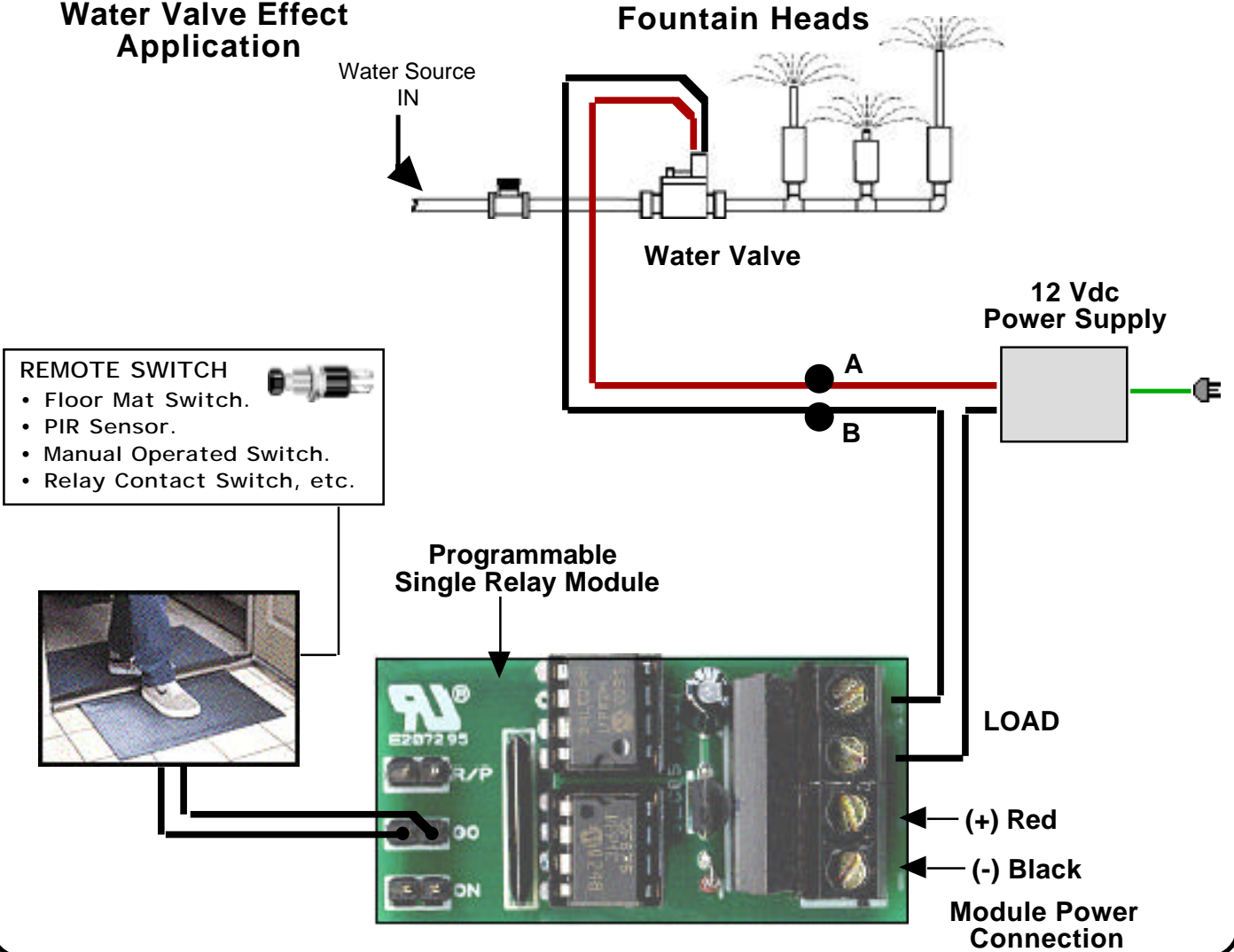
www.BPEsolutions.com  
Phone (303) 651-3794

# Programmable Single Relay Module Application Example

## Digital Sound Board Playback Application



## Water Valve Effect Application



Custom Equipment, Unique Electronic Products

Blue Point Engineering

www.BPEsolutions.com  
Phone (303) 651-3794

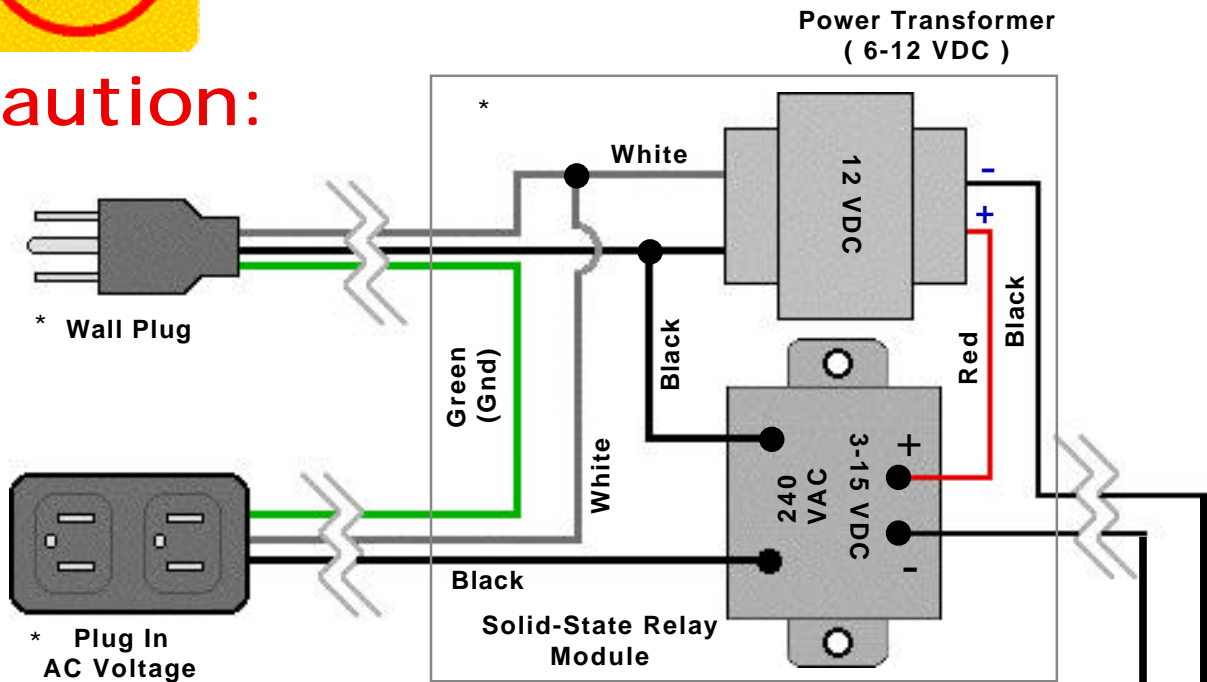
# Programmable Single Relay Module Application Example

Optional Digital to AC Output Mode



\* Use caution when working with AC Voltage.  
Touching or incorrectly wiring this circuit could cause serious personal injury or damage to equipment.

**Caution:**



## REMOTE SWITCH

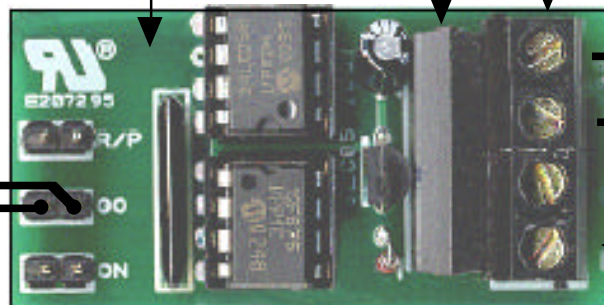
- Floor Mat Switch.
- PIR Sensor.
- Manual Operated Switch.
- Relay Contact Switch, etc.



24 VDC @ 0.5 Amp  
Relay

Programmable  
Single Relay Module

Wire Terminal  
Block



LOAD

← (+) Red

← (-) Black

Module Power  
Connection

Custom Equipment, Unique Electronic Products

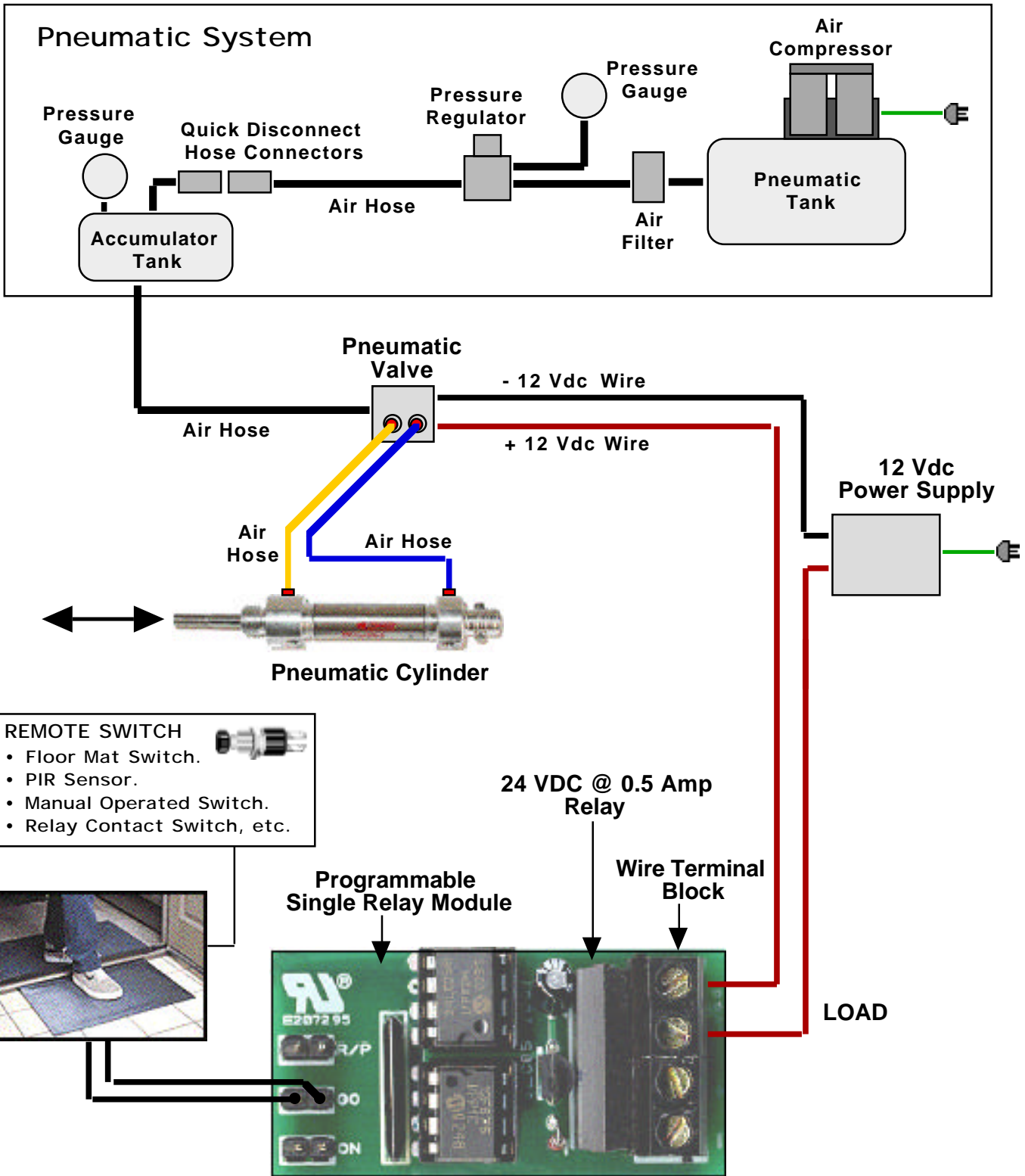
Blue Point Engineering

www.BPEsolutions.com

Phone (303) 651-3794

# Programmable Single Relay Module Application Example

Optional Pneumatic Output Mode  
Electrical Pneumatic Valve



Custom Equipment, Unique Electronic Products

Blue Point Engineering

www.BPEsolutions.com  
Phone (303) 651-3794