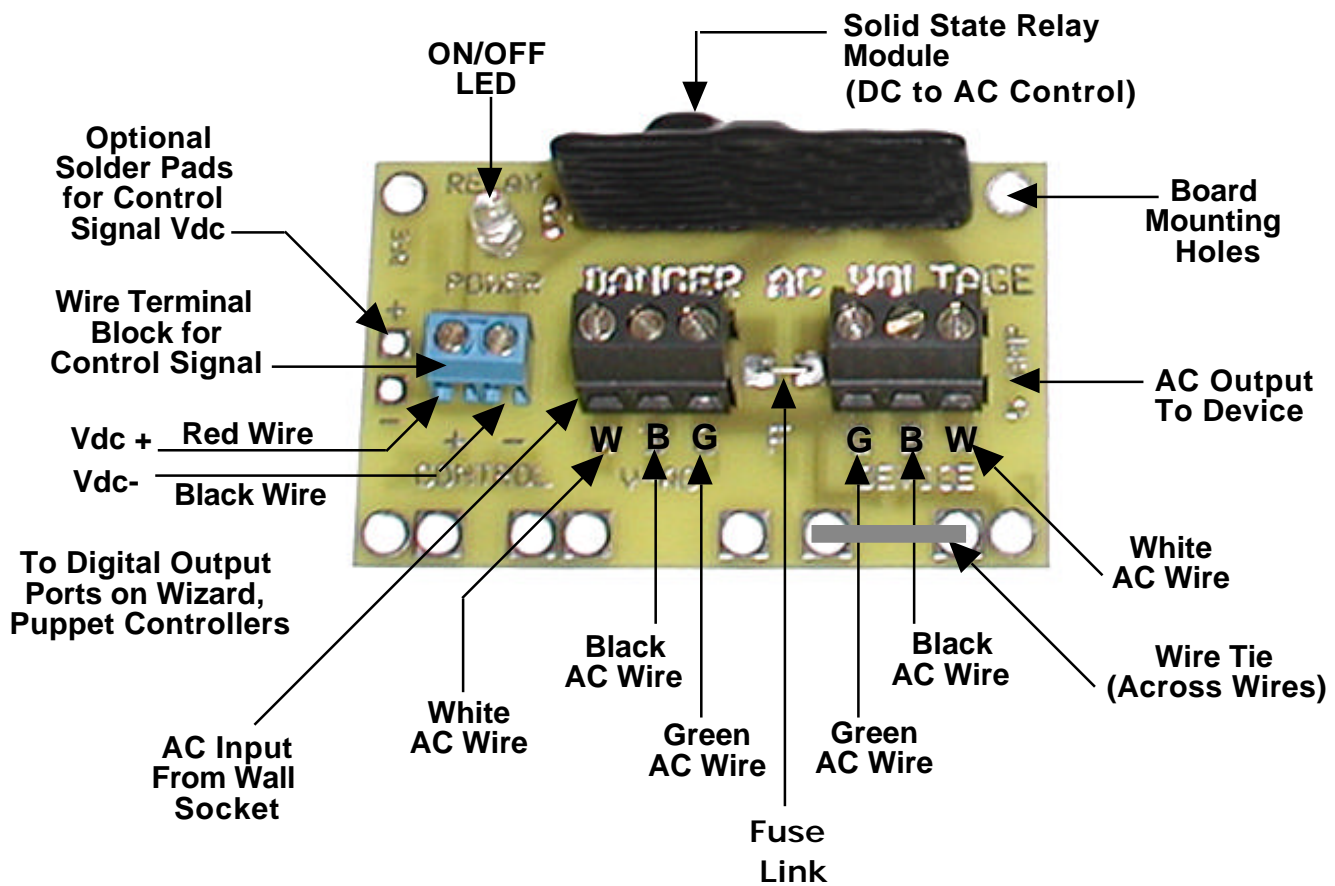


SS Relay Adapter Board

The SS Relay Adapter Board can be used to control ON and OFF any AC device up to 5 Amps from a 5 Vdc control signal.

A 5 - Vdc Control signal can be used from any Wizard, Puppet Controller Boards Digital Output port to operate the SS Relay Adapter Board.



Black AC Wire = From 3 wire Extension Cords
White AC Wire =
Green AC Wire

NOTE: Fuse Link can be removed and external in-line fuse can be solder into pad holes.

Copyright © 2004 Blue Point Engineering, All Rights Reserved

Wizard - Interface Board
 Digital Output Set-up
 110 VAC Solid State Relay

Caution
AC Voltage

CAUTION
 5 Amp MAX

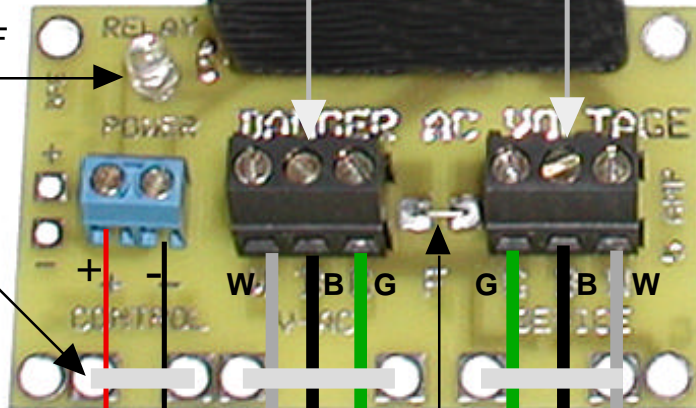
AC (110 VAC)
 DEVICES

- Lights
- Sound System
- Fog Machine
- Effects Equipment,
- Etc.

Solid-State
 DC/AC Relay

Relay ON / OFF
 LED

Wire Tie



Extension Cord
 (5 Amp Rated)

White Wire

Black Wire

Green Wire

Green Wire

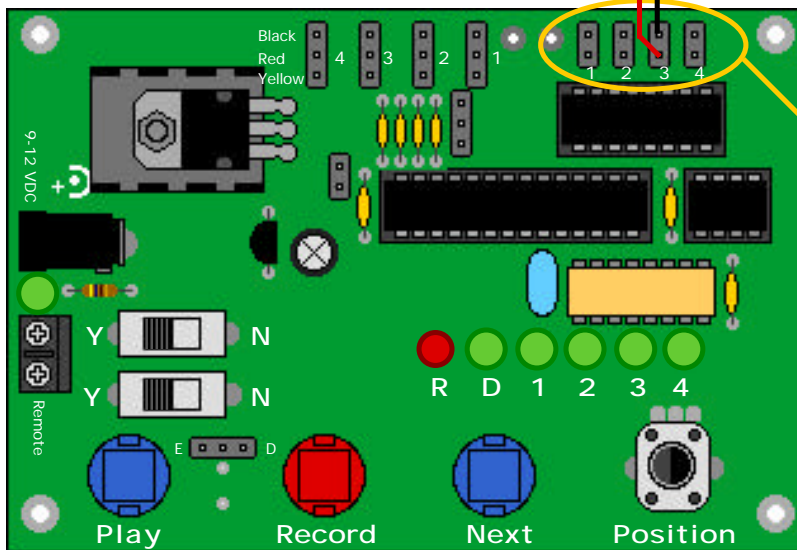
White Wire

AC Plug In
 (To Wall Socket)



Caution

* Use caution when working with AC Voltage. Touching or incorrectly wiring this circuit could cause serious personal injury or damage to equipment.



- Vdc
 + 5 Vdc 100 mA

Digital- Switched
 On / OFF Output
 Connection
 (+5 Vdc)
 From Wizard Boards

* In no event shall Blue Point Engineering be liable for any claim for incidental, consequential damages, or any injuries sustained due to the use of or improper use of this circuit. This circuit should NOT be used for any applications that could cause injury, dangerous / hazardous situations or consequential damages. Use this circuit at your own risk.

Copyright © 2004 Blue Point Engineering, All Rights Reserved