

# Wizard - VIII Controller Board Sound Setup Overview

Sound Source  
Output

Sound Source



OR



Computer  
Sound Port

OR



CD Player

OR



Mic  
Amp



Microphone

Audio  
Cable

Sound Recording  
INPUT

Line Input

Sound Playback  
OUTPUT

Line Out

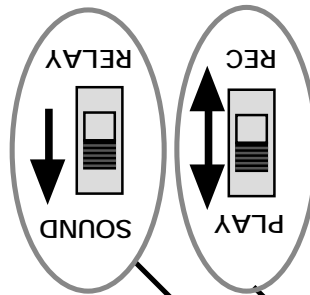
Audio  
Cable

Speakers and  
Amplifier



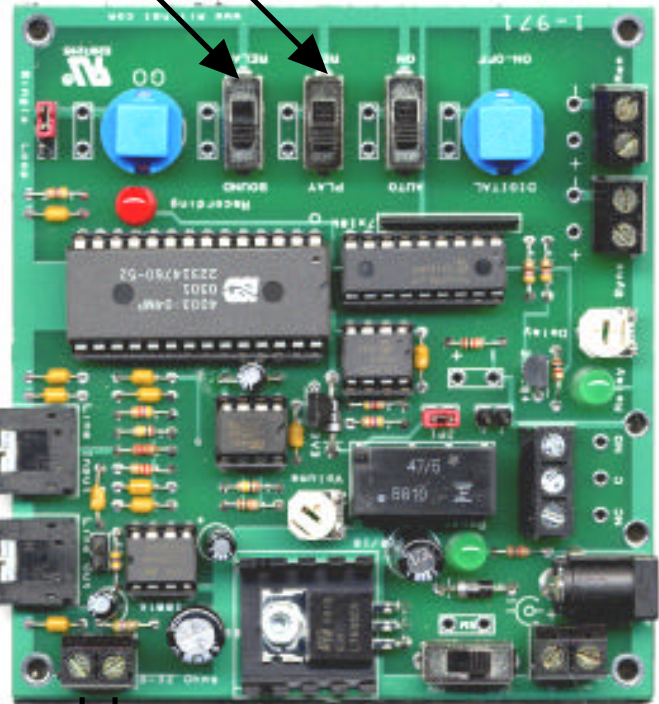
Playback - Large Volume

Configuration Slide Switches



**Record - Play Switch:**  
Selects either Playback  
or Record Mode.

**Relay - Sound Switch:**  
Selects either Sound or  
Relay Mode to record.



OR

Wire

Low  
Volume

Wire

Playback - Direct

**Speaker  
Playback**

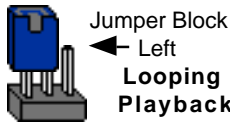
**Prop**

Sound Recording  
4 - minute playback  
Sound theme - A




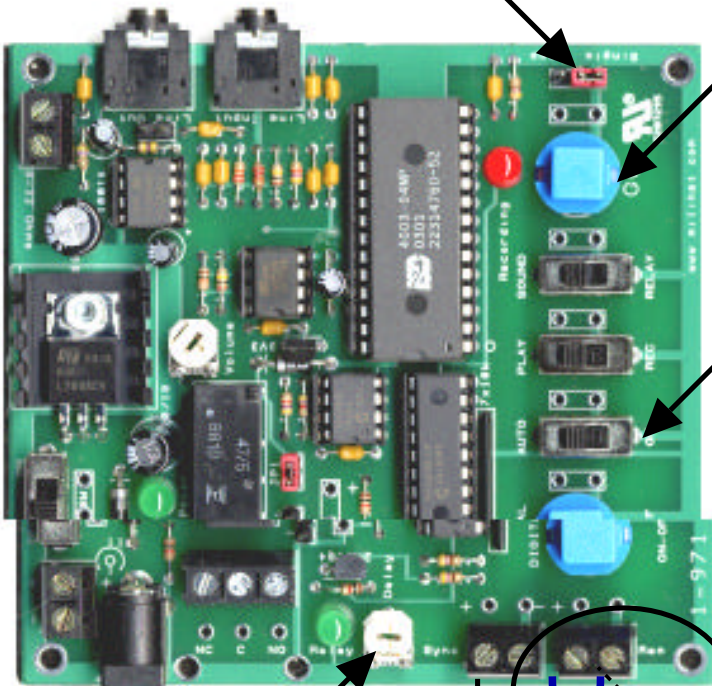
# Wizard - VIII Controller Board Remote Activation / Auto-Playback Playback Option Modes

## Playback Jumper Configuration



Place the jumper block across the center and right pins for a single playback, or place the jumper block across the center and left pins for looping playback with wait / pause options

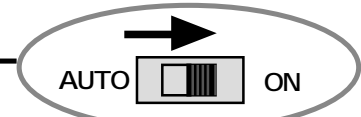
- REMOTE SWITCH** 
- Floor Mat Switch.
  - PIR Sensor.
  - Manual Operated Switch.
  - Relay Contact Switch, etc.



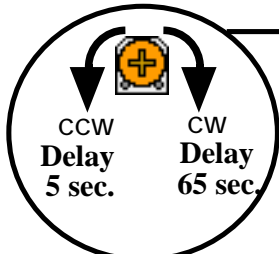
GO Button

Press the GO button to manually start playback or record event.

Note the on-board wire connection pads next to the switch for a remote switch / sensor option

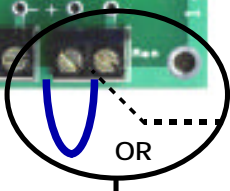


Slide the Auto selector switch to the ON side for an automatic startup and playback when power is first applied to the board. Use the Delay and Playback Jumper setting to adjust playback wait times between playback



Loop Pause Delay (CCW/CW)

Note: For a "0" pause delay between playback, set the selection switch to "AUTO" and place a jumper wire across the Remote Switch connection (REM)



Remote (Rem) Switch Connection

OR  
Jumper Wire

Sync Terminal  
( Output to other Wizard Boards (Multiple boards)

## Wizard - VIII Controller Board Multiple Board Connection



Example:  
Floor Mat Switch

### REMOTE SWITCH

- Floor Mat Switch.
- PIR Sensor.
- Manual Operated Switch.
- Relay Contact Switch, etc.

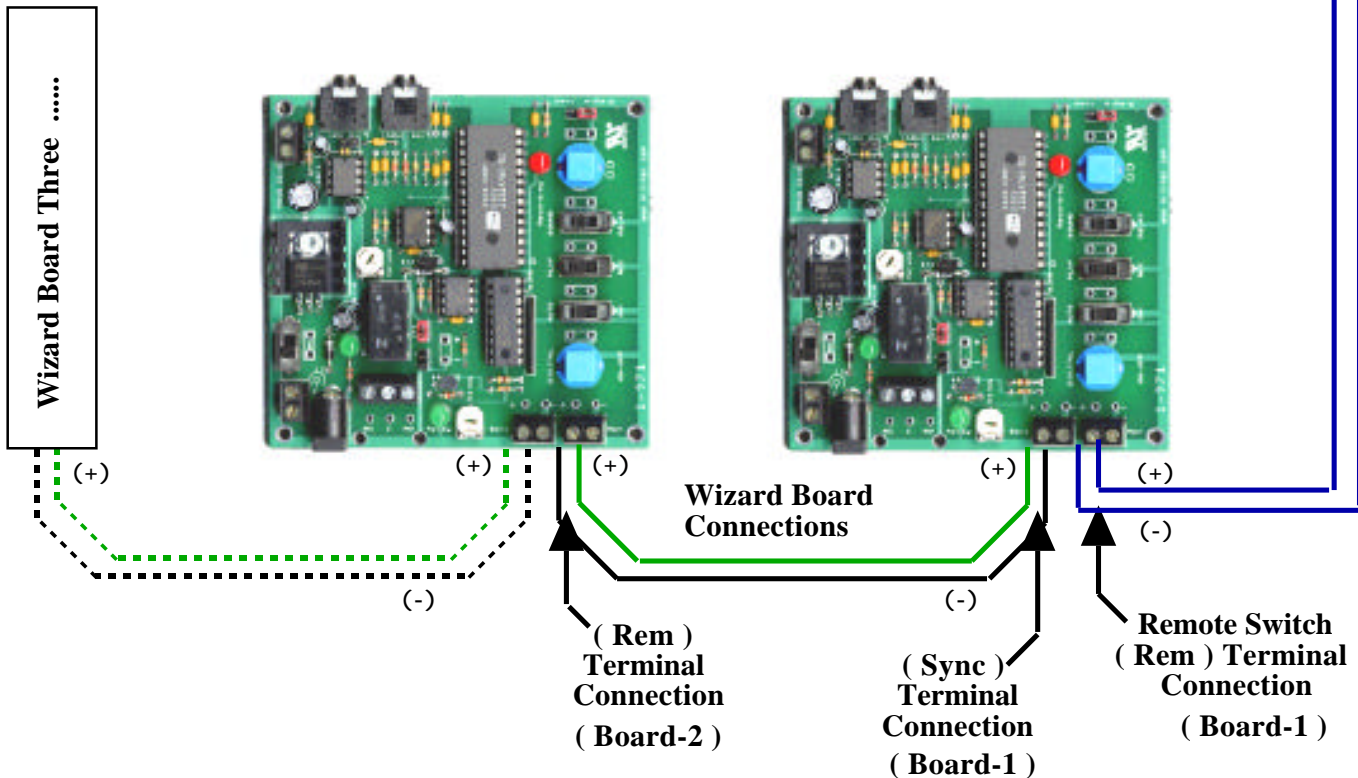
Push Buttons  
(Momentary)

Remote  
Switch / Sensor



### Wizard - VIII Controllers

← Wizard Board - Two ← Wizard Board - One

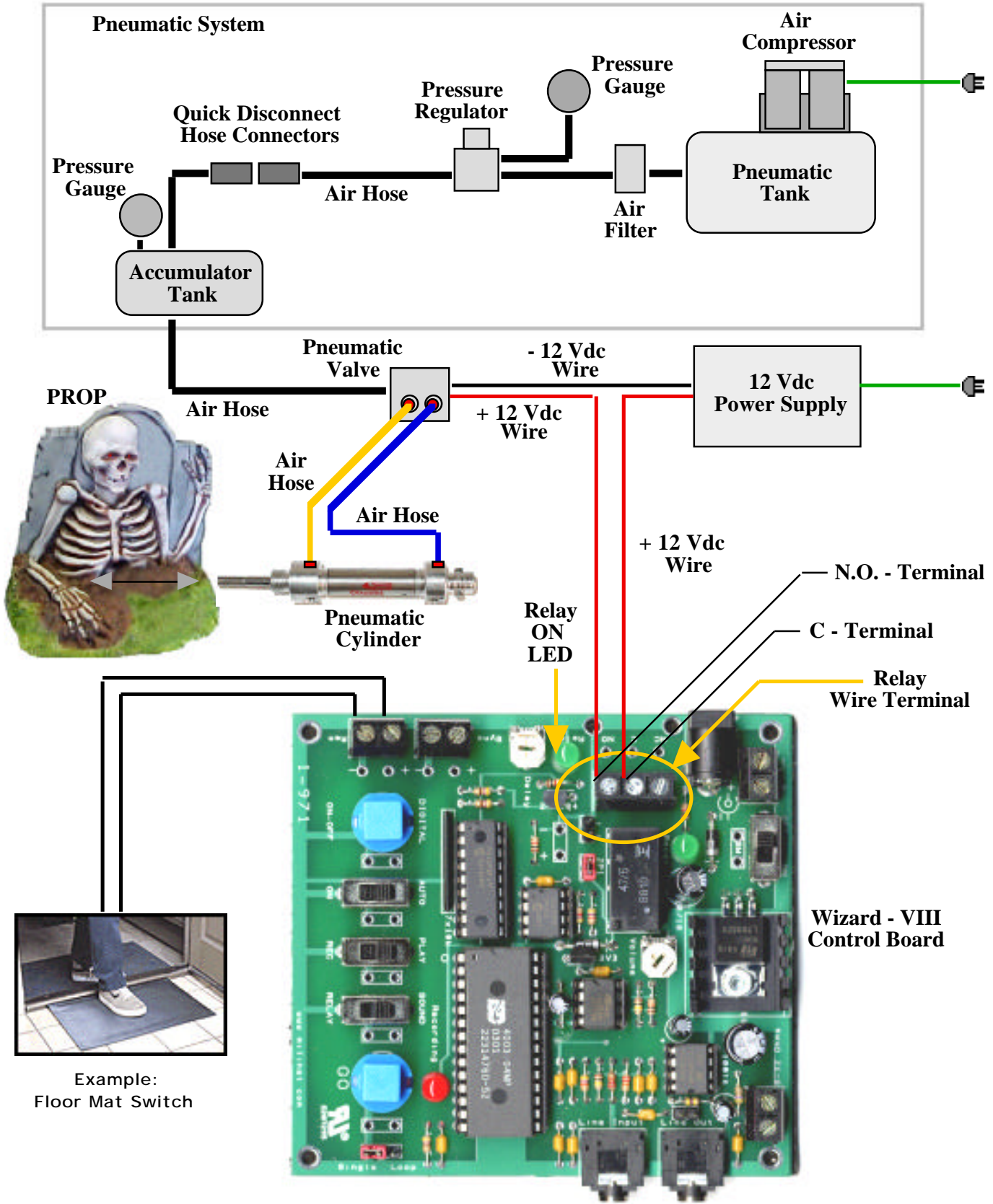


The REMOTE switch on board One (Rem) when pressed will start board One (Sync) and Trigger board Two (Rem) and board Three ( Rem ) ..... etc, activating automatic program playback actions for all boards connected.

# Wizard - VIII Controller Board

## Pneumatic Output Mode

### Electrical Pneumatic Valve

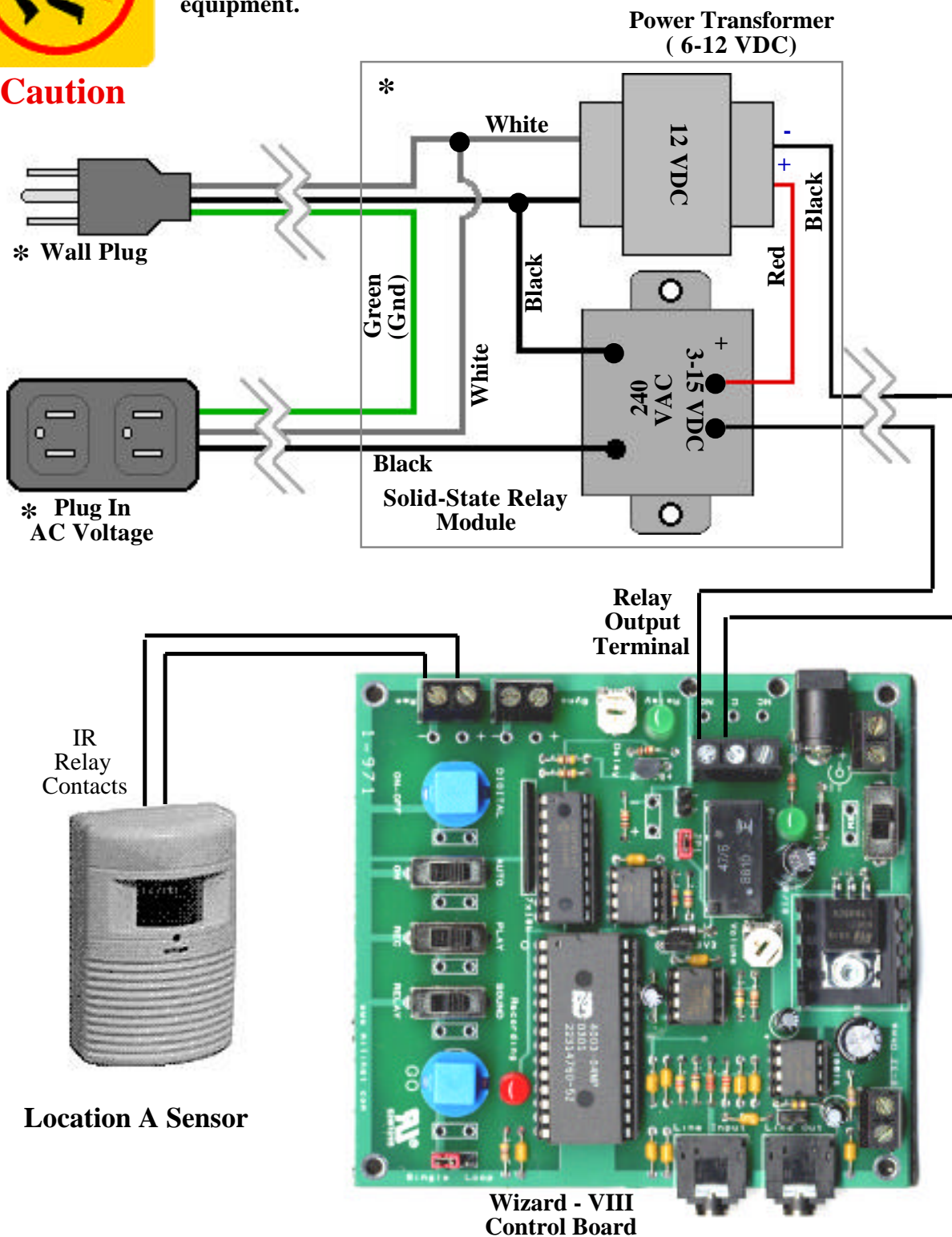


### Wizard - VIII Controller Board Relay to AC Voltage Output Mode



**Caution**

\* Use caution when working with AC Voltage.  
Touching or incorrectly wiring this circuit could  
cause serious personal injury or damage to  
equipment.



Wizard - VIII Controller Board  
Water Valve Overview



Lawn Water Valve  
(12 Volts dc)

Fountain  
Heads

