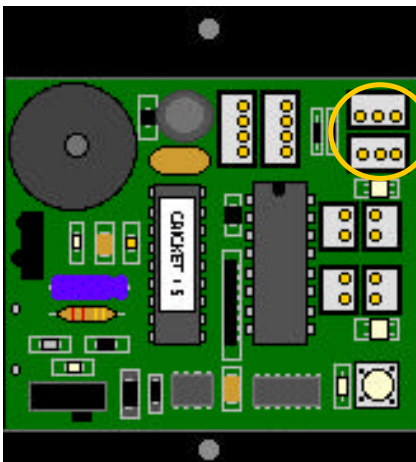
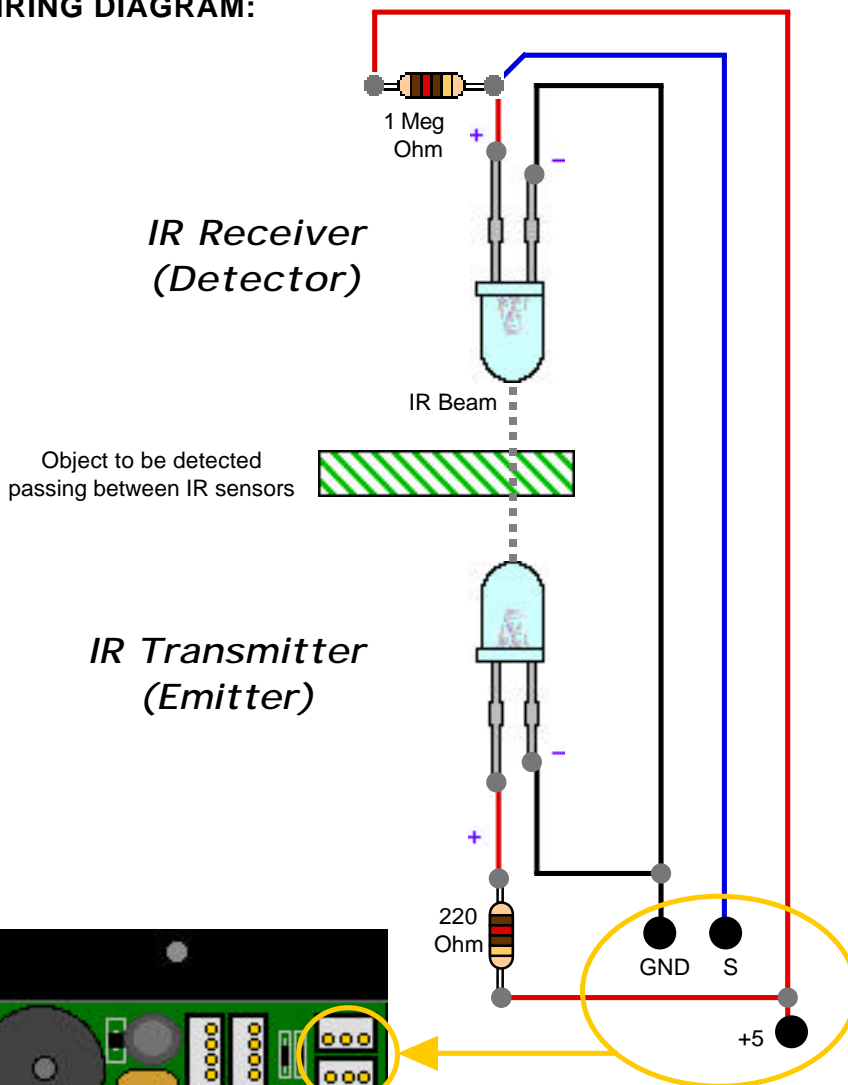


Photo Gate Sensor

Handy Cricket Board
v 1.5

A Photo Gate Sensor will detect an object moving between the sensor

WIRING DIAGRAM:



CONTROL EXAMPLES: (Cricket Logo)

APPLICATIONS:

PARTS REQUIRED:

- Resistors:
 - 220 Ohm
 - 1 Meg Ohm
- IR Emitter
- IR Detector
- Connection Wire
- DF3 Connector
- Heat Shrink Tube

TOOLS:

- Soldering Station

Version 1.0

Copyright © 2002, Robert Van Deest