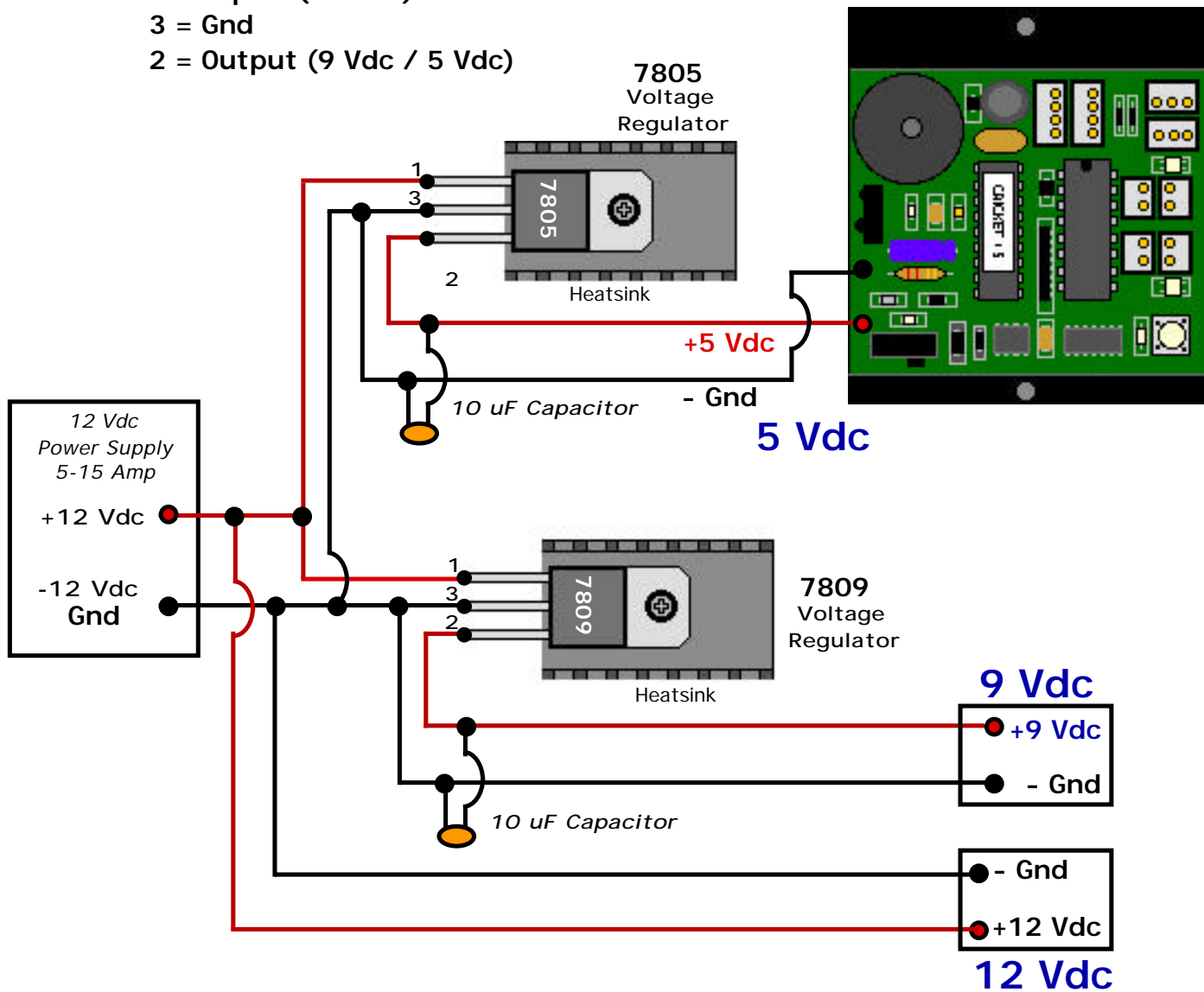
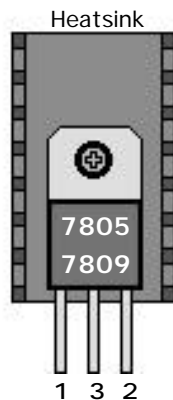


12 Vdc to +5 Vdc and +9 Vdc

- 1 = Input (12 Vdc)
- 3 = Gnd
- 2 = Output (9 Vdc / 5 Vdc)



12 Vdc to +5 Vdc and +9 Vdc Converter		
7805	(+5 Vdc @ 1 Amp)	Voltage Regulator
7809	(+9 Vdc @ 1 Amp)	Voltage Regulator
10 uF		Capacitor
12 Vdc Supply		Power Supply
Heatsink		



Voltage Regulators

- 1 = Input (12 Vdc)
- 3 = Gnd
- 2 = Output (9 Vdc / 5 Vdc)