

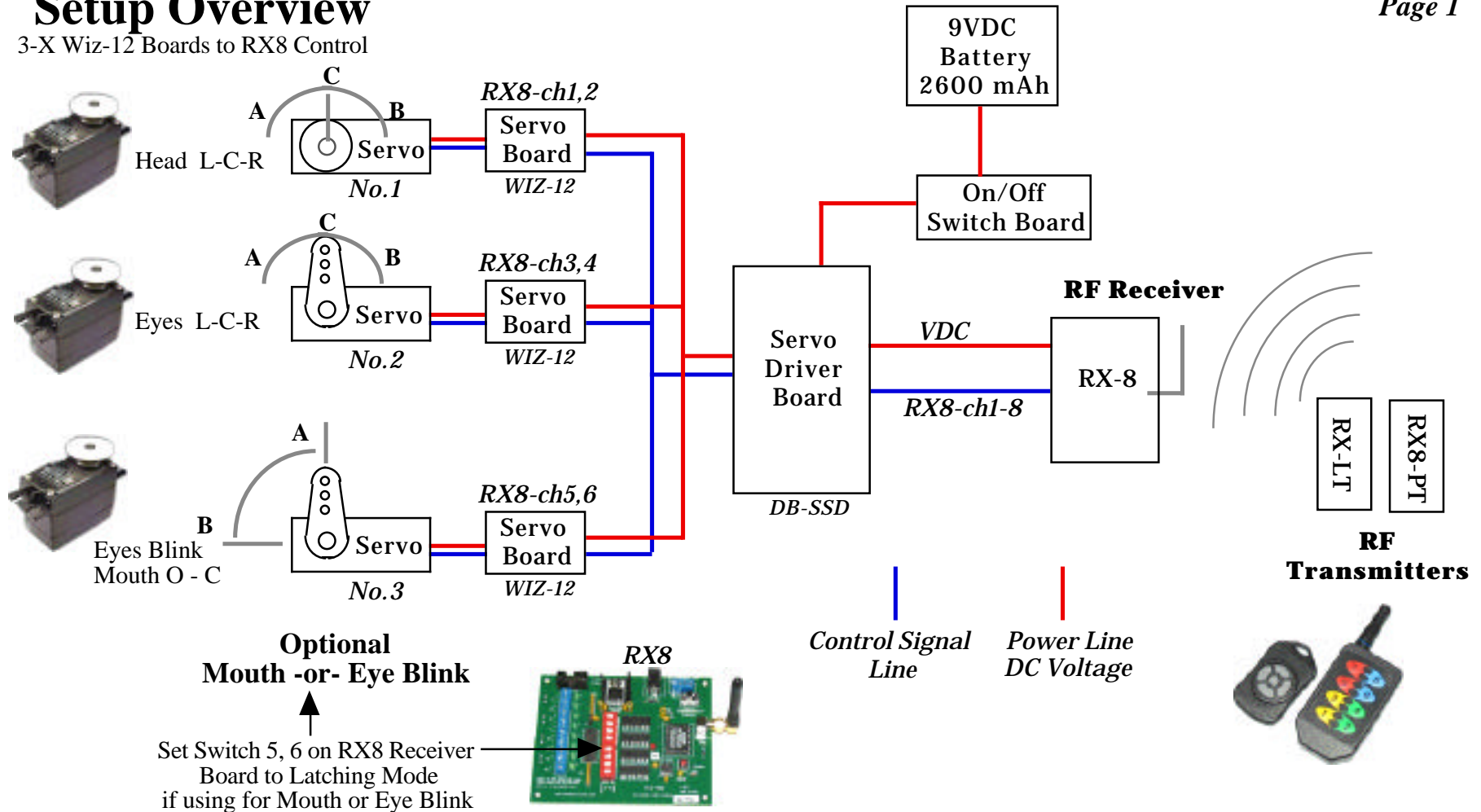
Wireless Radio Control of Puppets

3-Ch Wiz-12 Boards to RX8 Control Hardware Setup Overview

Page 1

Setup Overview

3-X Wiz-12 Boards to RX8 Control



Copyright © 2011 Blue Point Engineering All Rights Reserved

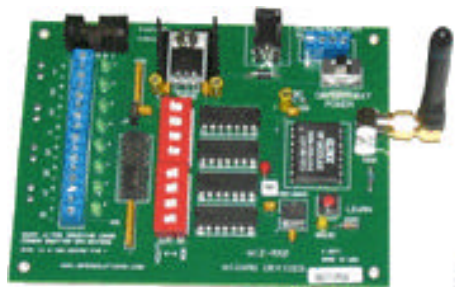
For more information on these products or to place an order

Blue Point Engineering Inc.

www.BPEsolutions.com

Phone (303) 651-3794

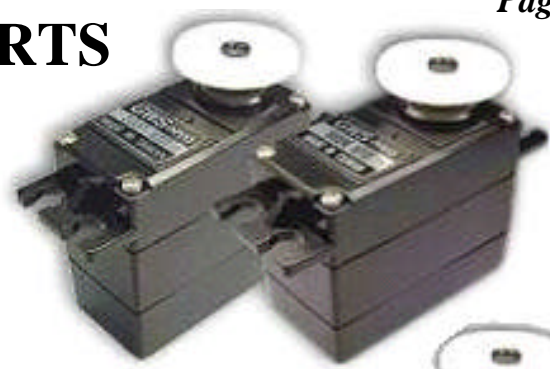
COMPONENTS / PARTS



**RX-8
RF Receiver
Board**



**Servo Driver
Board (Wiz12)
X3**



Servos X 3



**RF Short Range
Key fob
Transmitter**

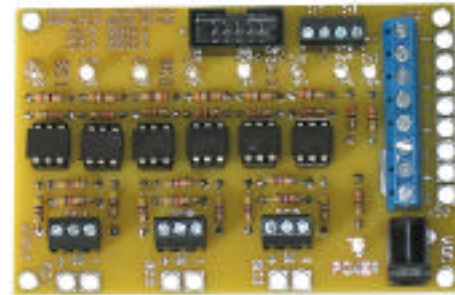
**RF Long Range
Transmitter**



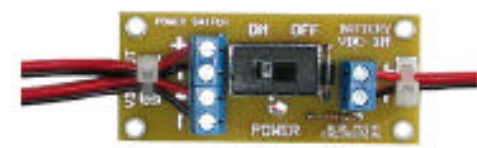
**Ribbon Cable
Connector**



**Battery
9VDC @ 2.4 Amps**



**SSD Board
WIZ-12 Servo Driver Board**



**Power / On Off -
Distribution Board**



Battery Power Cable

**Power Plug
Adapter
(With Battery Accessories)**

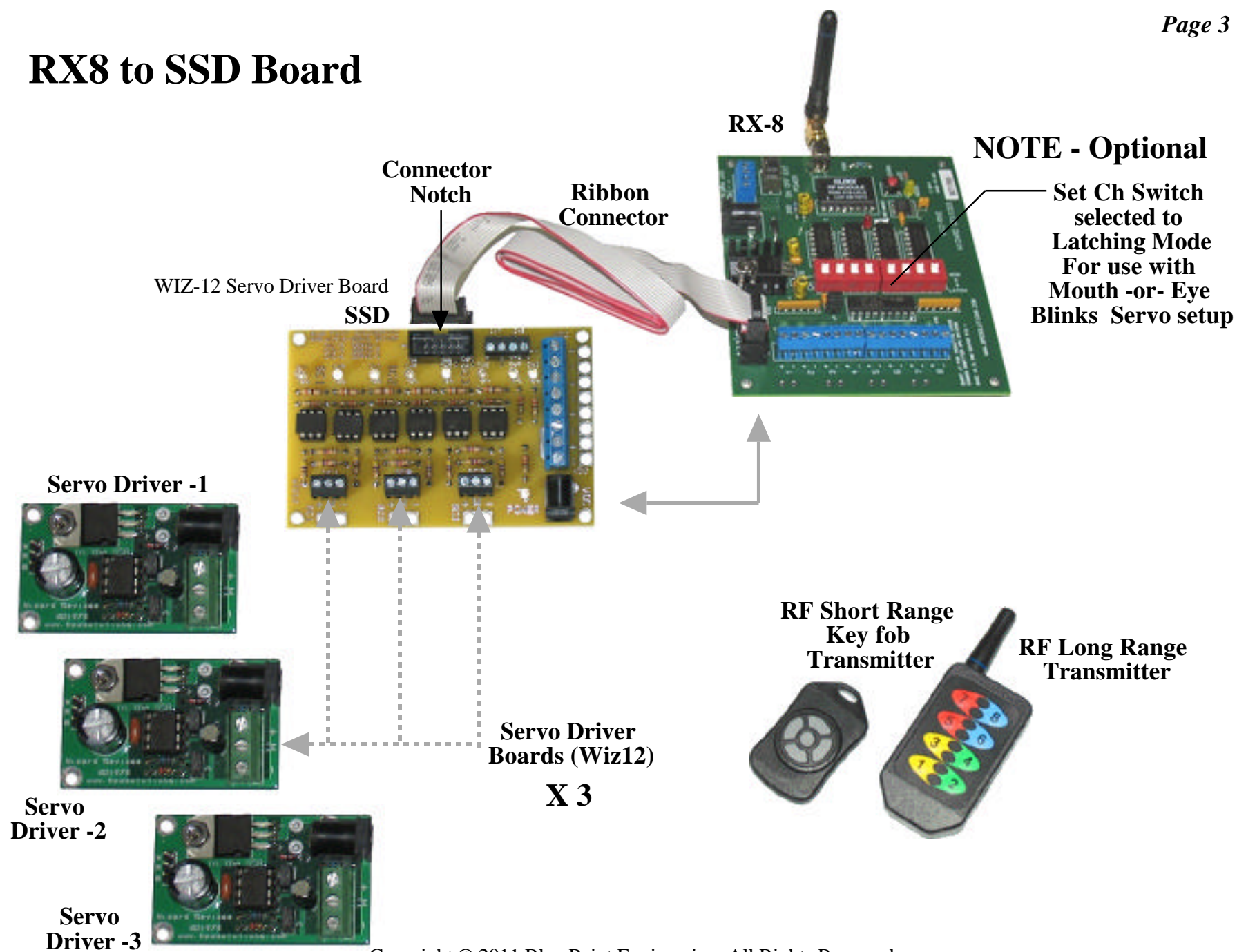
**2.1 x 5mm
Power Jack
(Female)
Center
Positive**



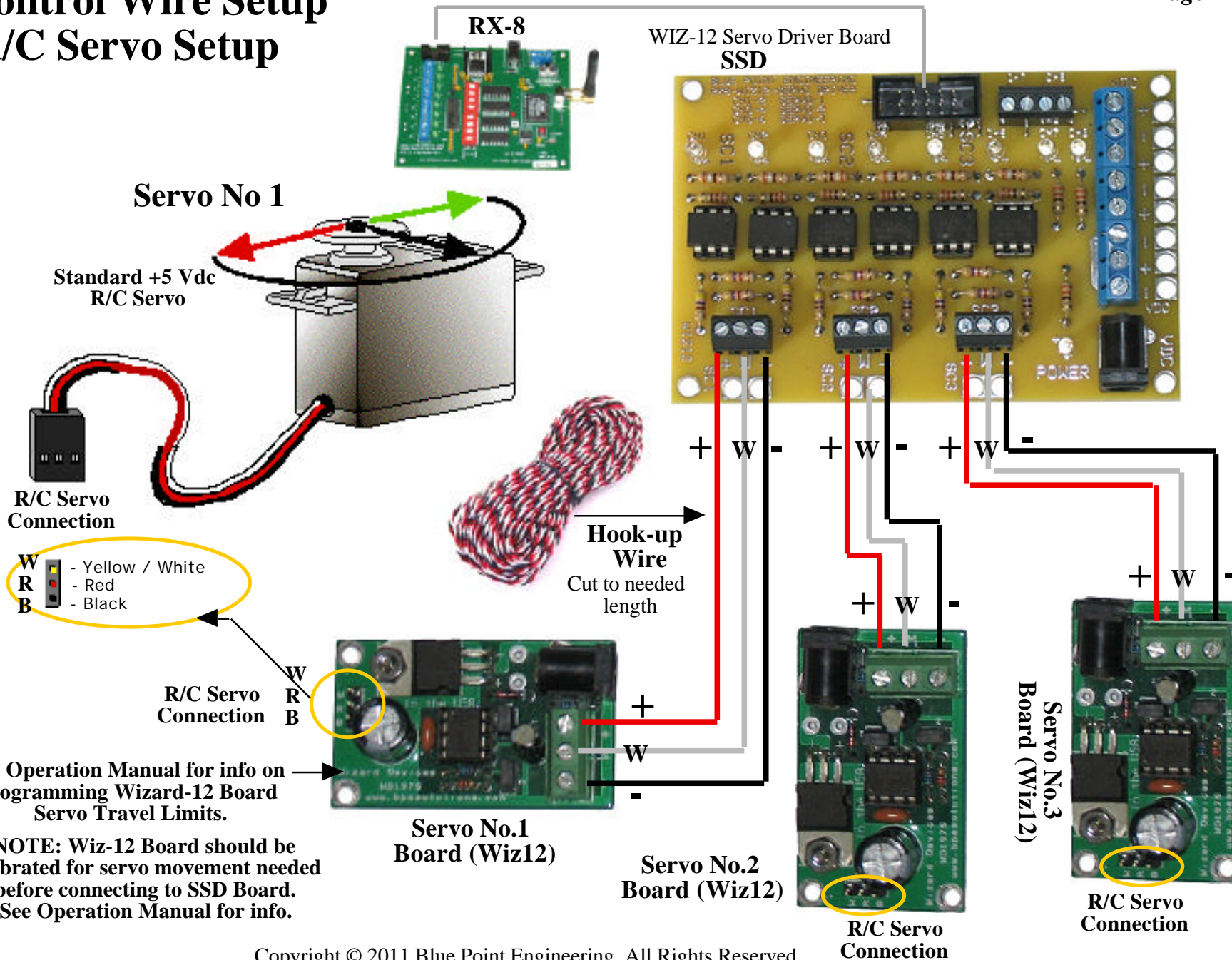
**Hook-up
Wire**

3 Wire (Black - Red - White)

RX8 to SSD Board



Control Wire Setup R/C Servo Setup



Power Setup

CAUTION: ← - Power
 → + Power

Black Wire = Power - (Negative)
Red Wire = Power + (Positive)



Battery

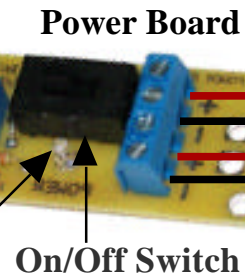
Battery Power Cable
(With Battery Accessories)



Power Plug Adapter
(With Battery Accessories)

2.1 x 5mm Power Jack

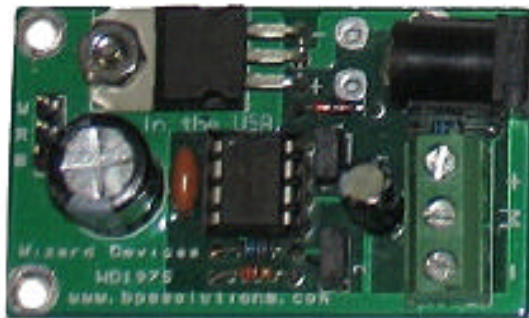
Power LED



Power Board

On/Off Switch

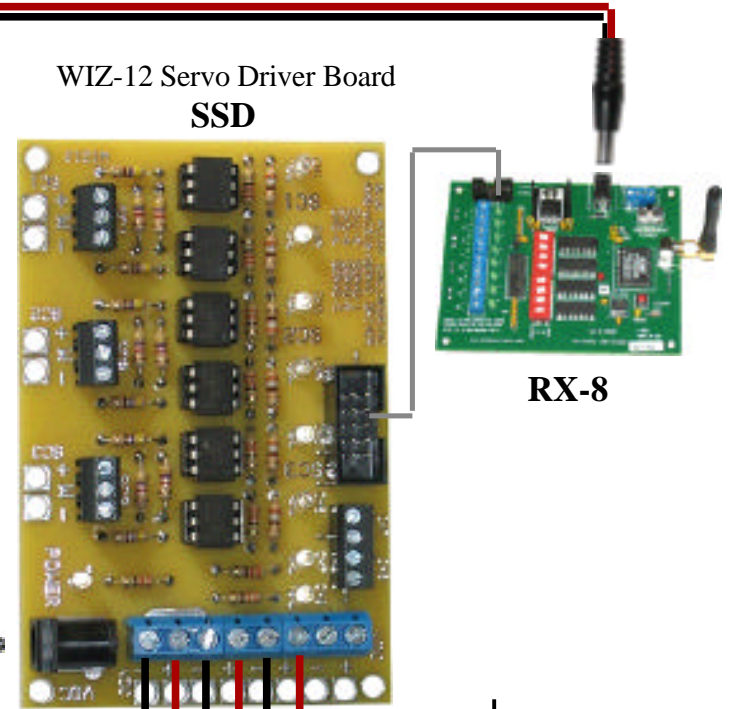
Servo No.1 Board (Wiz12)



Power Connection



2.1 x 5mm Power Jack



WIZ-12 Servo Driver Board
SSD

RX-8

To Servo No.2 Board (Wiz12)



To Servo No.3 Board (Wiz12)



SSD Board Overview

WIZ-12 Servo Driver Board

