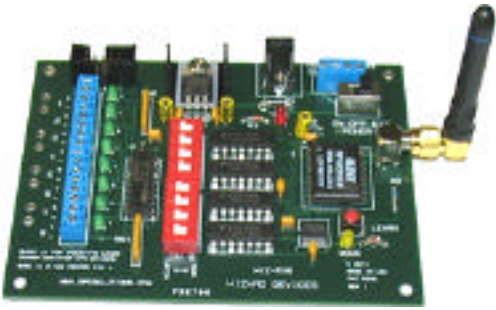


RX System Components

Product Line Overview
2012

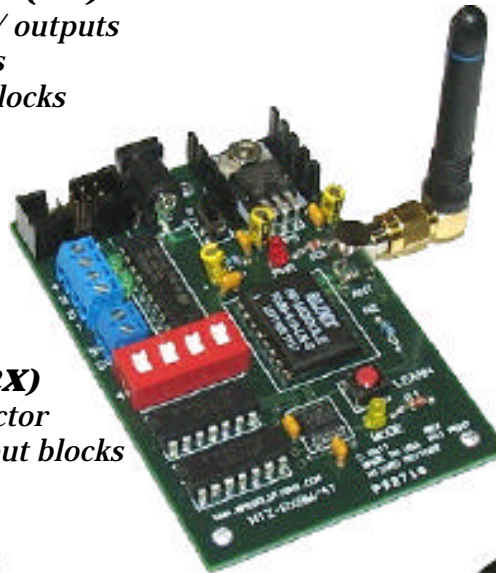
Receivers (RX) and Transmitters (TX) BASIC COMPONENTS



8-Ch Receiver System (RX)
On-board connections / outputs
8-Ch Ribbon Connectors
8-Ch on-board output blocks



4-Ch Receiver (RX)
4-Ch Ribbon Connector
4-Ch on-board output blocks



8-Ch Receiver (RX)
8-Ch Ribbon Connector
4-Ch on-board output blocks



**Long Range
Transmitte (TX)**



**Connection Cable to
Application Boards**



**Keyfob
Transmitter (TX)**



**Short Range
Transmitte (TX)**



Product Information and Pricing Subject to Change

For more information on these products or to place an order

V 1.0 2012

RX System Components

Product Line Overview
01/2012

Application Boards Relays - Solid State



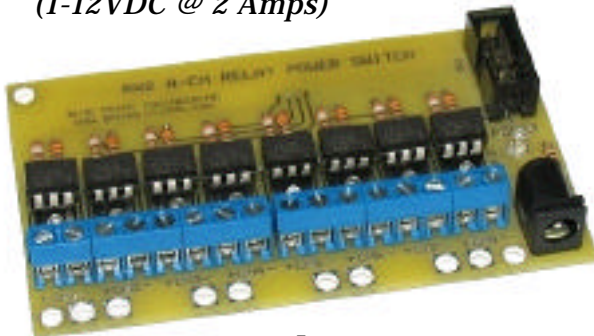
**1-Ch
Solid State Relay**
(1-12VDC @ 2 Amps)



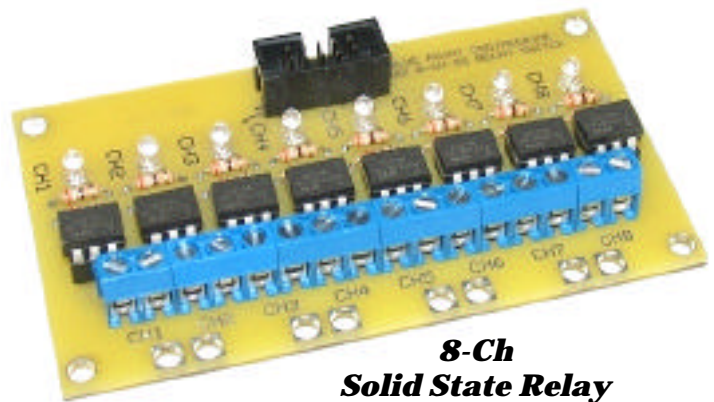
**1-Ch
HP Solid State Relay**
(1-60VDC @ 5 Amp loads)



**Connection Cable to
Application Boards
(RX - Application)**



**8-Ch
Solid State Relay Power Switch**
(1-12VDC @ 2 Amps)

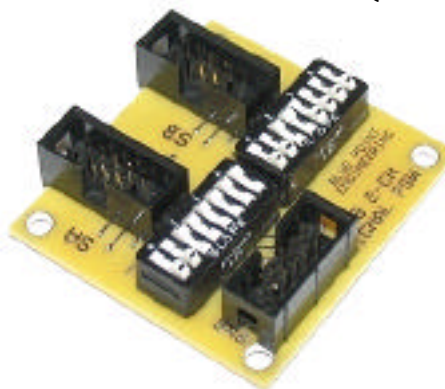


**8-Ch
Solid State Relay**
(1-12VDC @ 2 Amps)

Multiple Channel Boards



**1-Ch SS Relay Power Switch
1-Ch SS Relay Switch**
(1-12VDC @ 2 Amps)



2-Ch Cable Output Switch

Connection Cables to Application Boards (RX - Application)



Product Information and Pricing Subject to Change

For more information on these products or to place an order

V 1.0 2012

RX System Components

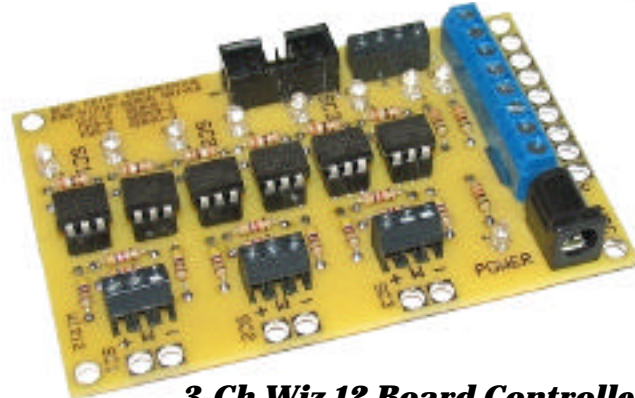
Product Line Overview
01/2012

Application Boards Servo Driver / Controller

Connection Cable to Application Boards (RX - Application)



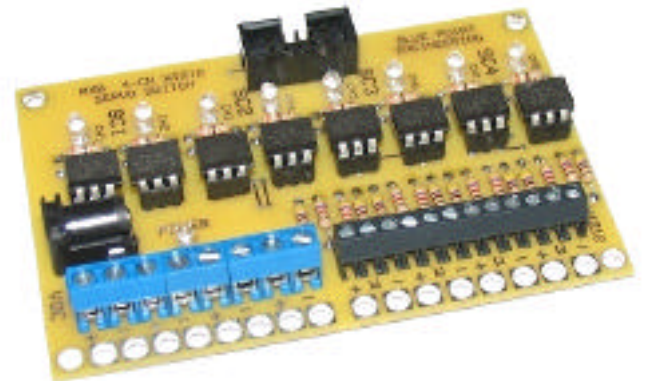
**1-Ch Servo Controller Board
(Wizard-12)**



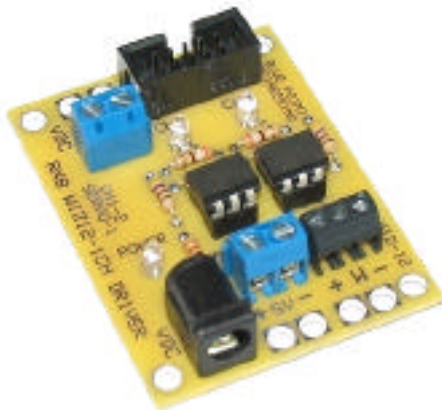
**3-Ch Wiz 12 Board Controller
with Power Connection
(Servo Position A-B, B-A)**



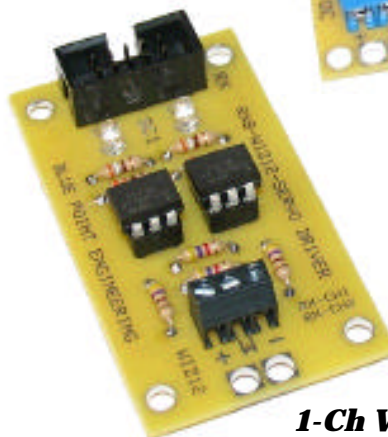
**Wiz-12 Manual Control and
Programming Joystick
Interface Module
(Wizard-12 Board)**



**4-Ch Wiz 12 Board Controller
with Power Connection
(Servo Position A-B, B-A)**



**1-Ch Wiz 12 Board Controller
with Power Connection
(Servo Position A-B, B-A)**



**1-Ch Wiz 12 Board Controller
(Servo Position A-B, B-A)**

Product Information and Pricing Subject to Change

For more information on these products or to place an order

V 1.0 2012

RX System Components

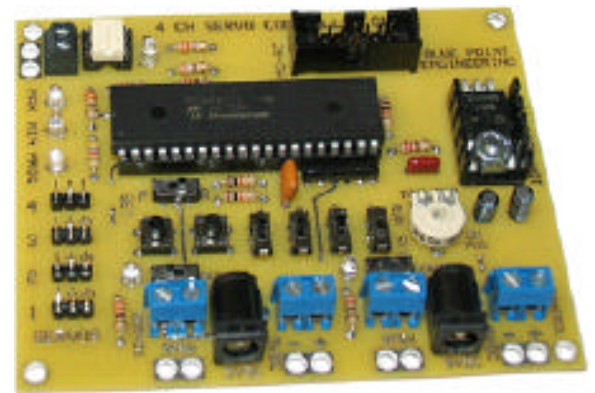
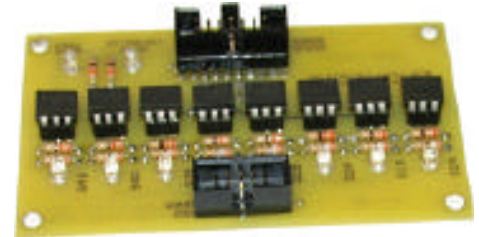
Application Boards Servo Driver / Controller



***1-Ch Servo Controller with
Programmable Servo Limits***
(Servo Position A-B, B-A)

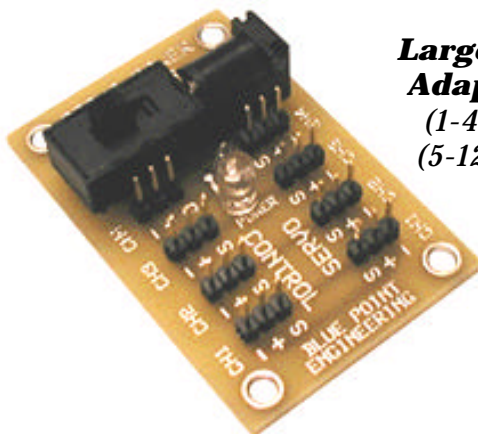


***Manual Control and
Programming Joystick
Interface Module***
(1-Ch Servo Board)



***4-Ch Variable Speed and Position
Servo Controller with
Programmable Servo Limits***
(Servo Position A,C, B, +/-)

Servo Adapters



***Large Servo Power
Adapter Interface***
(1-4 Ch Servos In/Out)
(5-12 VDC Servo Power)



Duo Input 1-Ch Servo Switch over
(Servo Control by Manual and RF Control)

Product Information and Pricing Subject to Change

For more information on these products or to place an order

V.1.0 2011

Blue Point Engineering

www.BPEsolutions.com

Phone (303) 651-3794

RX System Components

Product Line Overview
01/2011

Special Applications

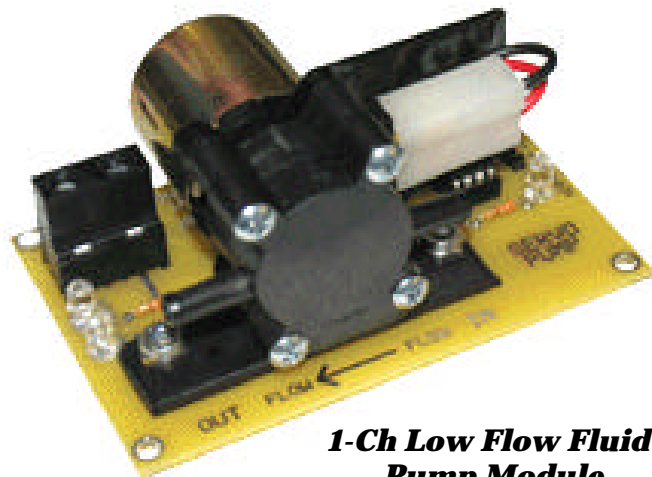
**Connection Cable to
Application Boards
(RX - Application)**



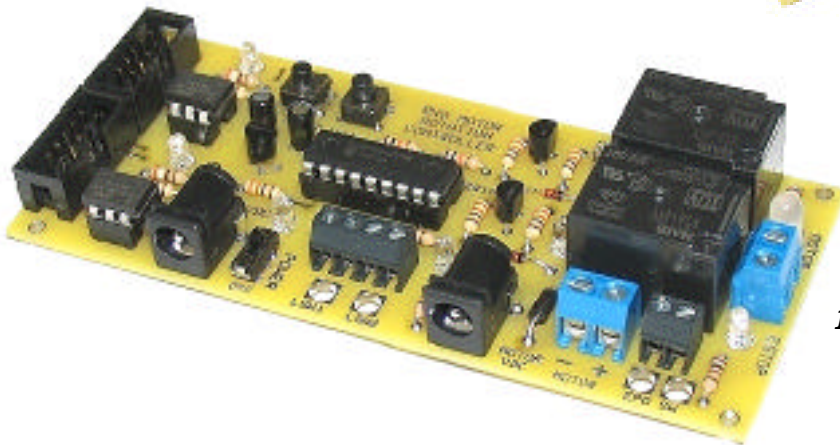
**Solid State AC Power Switch
(110-AC @ 5 Amp Loads)
(1-Ch RX Board)**



**RX Breakout 8-Ch
Signal board
8- / 1+ Output**



**1-Ch Low Flow Fluid
Pump Module
(1-Ch RX Board)**



**1-Ch 12 VDC Motor Directional
Controller Module
(12 VDC - 5 Amp CW, CCW)
(1-Ch RX Board)**

Product Information and Pricing Subject to Change

For more information on these products or to place an order

V.1.0 2011

Blue Point Engineering

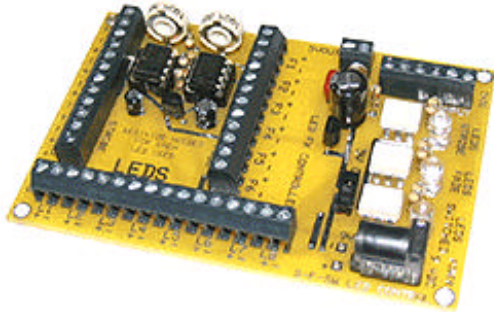
www.BPEsolutions.com

Phone (303) 651-3794

RX System Components

Product Line Overview
01/2011

Special Applications Lighting - Special FX



3- Ch LED FX Board -A

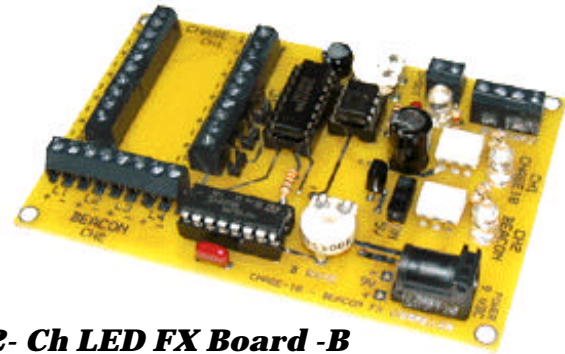
6- Strobe LED's

6- Fading LED's

8- Switched ON/OFF LED's
(1 Amp output per channel)

(3-Ch RX Board)

Connection Cable to Application Boards (RX - Application)



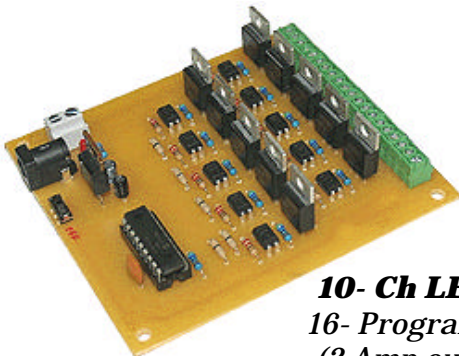
2- Ch LED FX Board -B

6- Strob / Beacon LED's

10- Marquee LED's

8- Switched ON/OFF LED's
(1 Amp output per channel)

(2-Ch RX Board)

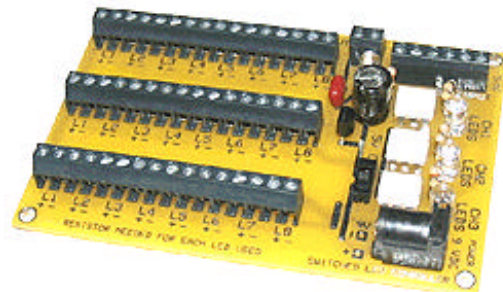


10- Ch LED FX Board -D

16- Programmed LED Effects

(2 Amp output per channel)

(1-Ch RX Board)

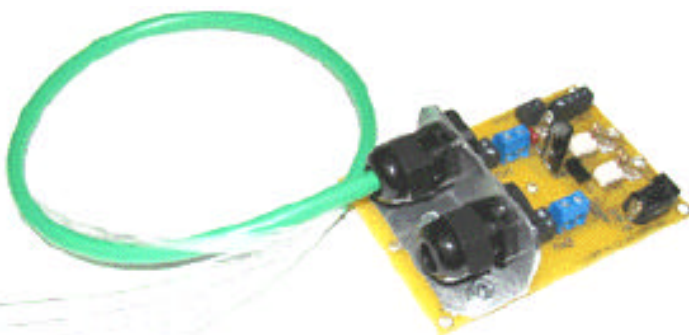


3- Ch LED FX Board -C

24- Switched ON/OFF LED's

(1 Amp output per channel)

(3-Ch RX Board)



2- Ch Fiber-optic Cable On/Off Switch Controller

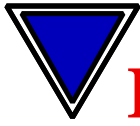
(1 Amp output per channel)

(2-Ch RX Board)

Product Information and Pricing Subject to Change

For more information on these products or to place an order

V 1.0 2011



RX System Components

Product Line Overview
2012

Special Applications

Audio



**10-Ch Audio
Sequence / Random
MP3 Playback
(1-Ch Receiver)**

**Connection Cable to
Application Boards
(RX - Application)**

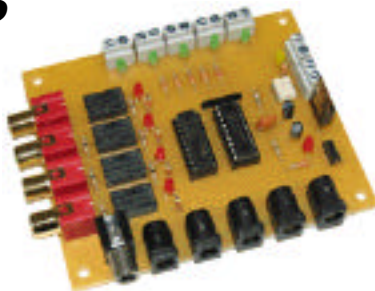


**8-Ch Selectable MP3
Audio Playback
(8-Ch Receiver)**

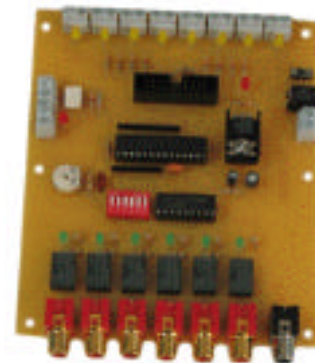


**8-Ch Audio Sequence
Switch Board
(1-Ch Receiver)**

Video



**4-Ch Video Switch Board
4 Video in 1 Video Out
(4-Ch Receiver)**



**8-Ch Video Switch Board
8 Video in 1 Video Out
(8-Ch Receiver)**

Product Information and Pricing Subject to Change

For more information on these products or to place an order

V 1.0 2012

RX System Components

Setup Examples

***Handheld
RF Transmitter***



***Connection
Cable***



***Sound
Playback***



***RX -8M/4T
RF Receiver***

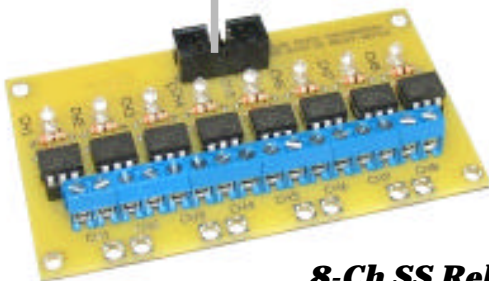
***MP3 Playback
Module***



***Connection
Cable***



***Relay
Activation***



8-Ch SS Relay Board

Product Information and Pricing Subject to Change

For more information on these products or to place an order

V 1.0 2012

Blue Point Engineering

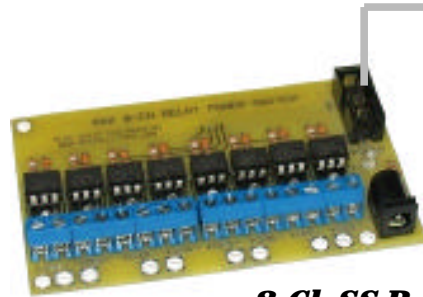
www.BPEsolutions.com

Phone (303) 651-3794

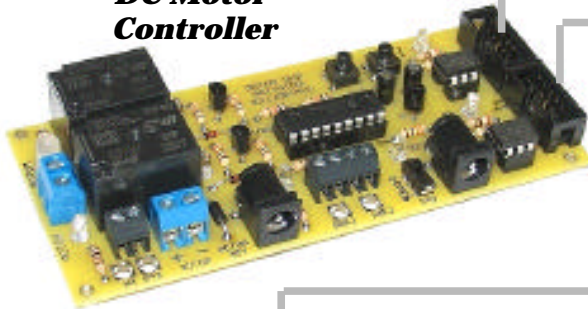
RX System Components

Product Line Overview
01/2012

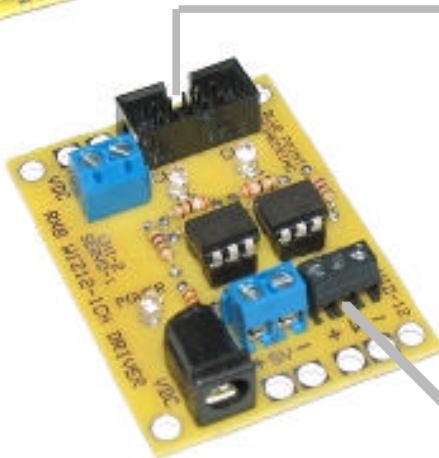
Setup Examples



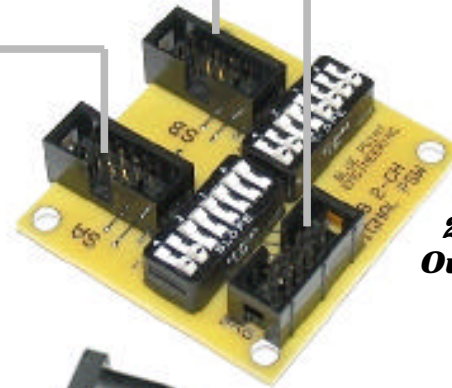
**8-Ch SS Relay
Power Switch**



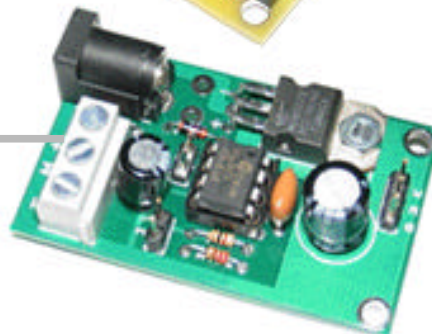
**DC Motor
Controller**



**Wiz-12 Switch
Controller**



**2-Ch Cable
Output Switch**



**Wiz-12 Servo
Driver**

**Handheld
RF Transmitter**



**Connection
Cables**



**RX-8M/4T
RF Receiver**

Product Information and Pricing Subject to Change

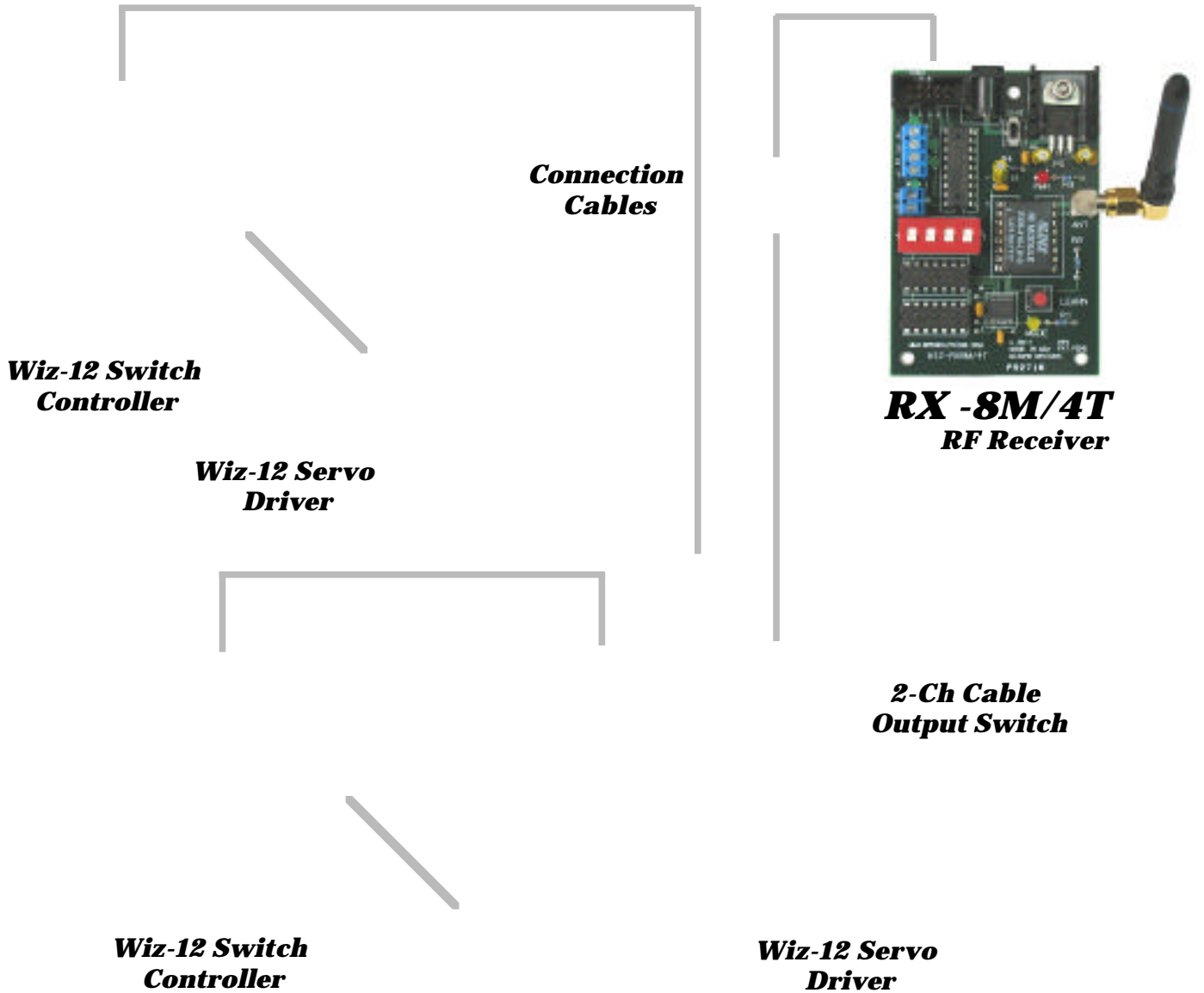
For more information on these products or to place an order

V 1.0 2012

RX System Components

Setup Examples

***Handheld
RF Transmitter***



Product Information and Pricing Subject to Change

For more information on these products or to place an order

V 1.0 2012